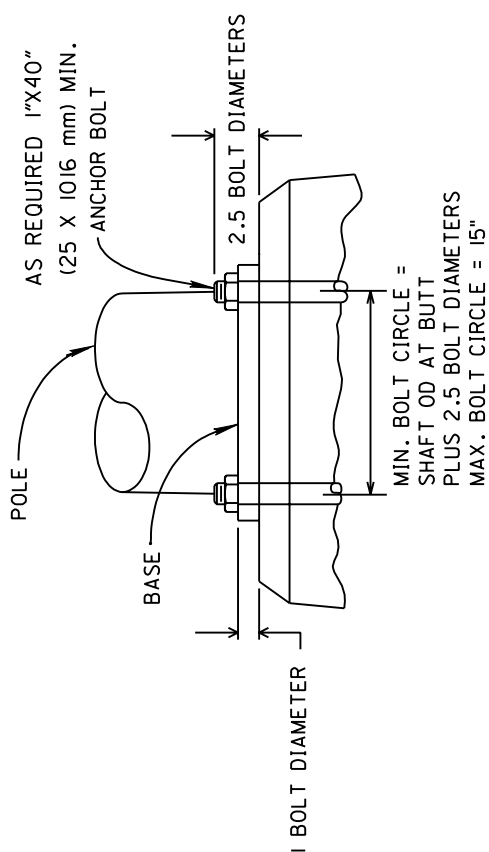
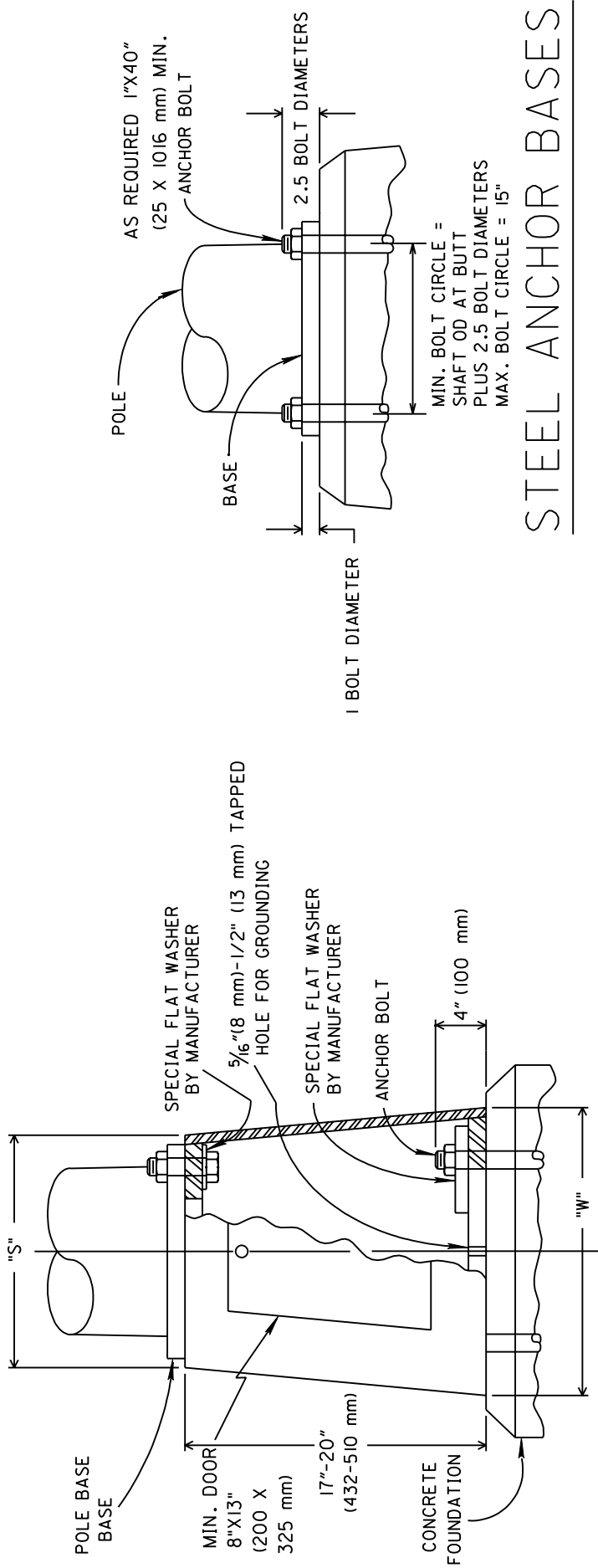


NOTES

1. For median-mounted poles, Pole Base Plate and Anchor Bolt length and shape will be modified as indicated on HL-20.13.
2. For pole grounding details see HL-60.11.
3. Frangible bases shall not be used under pole in excess of manufacturer's rated limits for base.
4. Cast aluminum transformer bases shall not be used where overhead wiring is required.
5. For Poles mounted on Pilasters on bridge Parapets, the anchor bolt shape and length will be modified as indicated in the Structure Plans.
6. 40" (1010 mm) bolts include 4" (102 mm) bend, 48" (1220 mm), include a 5" (127 mm) bend, and 60" (1524 mm) bolts include a 6" (152 mm) bend.



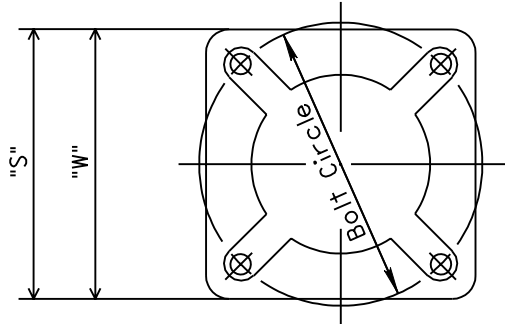
STEEL ANCHOR BASES

TABLE A
ALUMINUM TRANSFORMER BASES IN INCHES (MILLIMETERS)

TYPE	CONNECTOR BOLTS		"W"	ANCHOR BOLTS	
	BOLT CIRCLE	BOLTS		BOLT CIRCLE	BOLTS
AT-A	13 (330)	1" (25)	15" (381)	15" (381)	1"X40" (25x1016)
AT-C	15" (381)	1 1/4(31.8)	17" (432)	17" (432)	1/4"X48" (31.8X1220)

TABLE B
STEEL TRANSFORMER BASES IN INCHES (MILLIMETERS)

TYPE	CONNECTOR BOLTS		"W"	ANCHOR BOLTS	
	BOLT CIRCLE	BOLTS		BOLT CIRCLE	BOLTS
ST-A	13 (330) sq.	1" (25)	16 (406) sq.	15 (381)	1X40 (25X1016)
ST-C	15 (381) sq.	1 1/4(31.8)	18 (457) sq.	17 (425)	1 1/4X48 (31.8X1220)
ST-B	17 (432) sq.	1 1/2(38.1)	25 (635) sq.	22 (559)	1 1/2X60 (38.1X1520)



TOP AND BOTTOM OF BASE