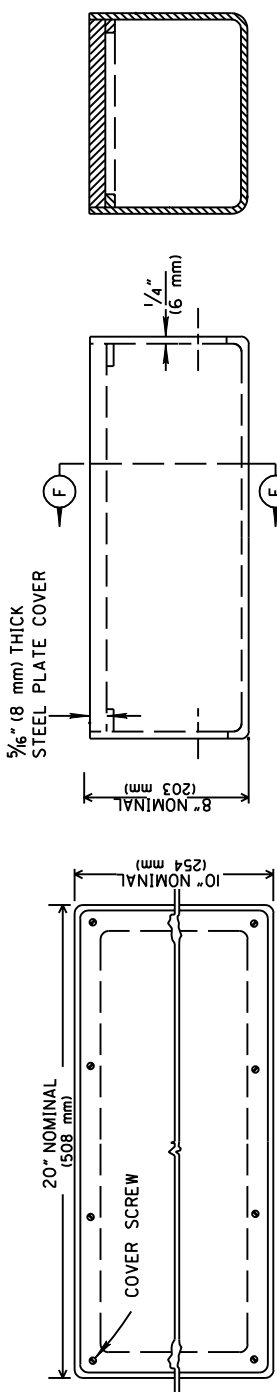


NOTES

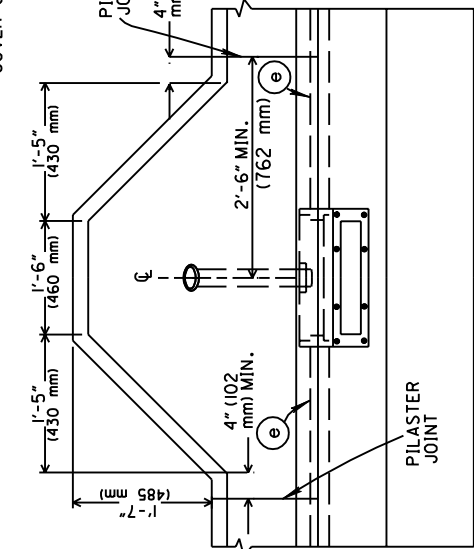
1. All conduit shall conform to 725.04.
2. Grounding bushings are provided in 4" (102 mm) conduit to interconnect structure conduit system with structure grounding system shown on HL-50.21.
3. For anchor bolt details see HL-10.13, Pole Base Details.
4. Junction boxes shall conform to 725.10, except that base material composition of galvanized steel plate covers shall conform to ASTM A-242 or A-36.
5. All conduit openings in junction boxes shall be bossed, drilled, and tapped.
6. Payment for pilaster reinforcing steel and concrete shall be included in 509 and 511 items for the structure.
7. Where conduit is provided for future installation of poles the conduit shall be capped.
8. Lubricate cover screws with anti-size compound or grease.



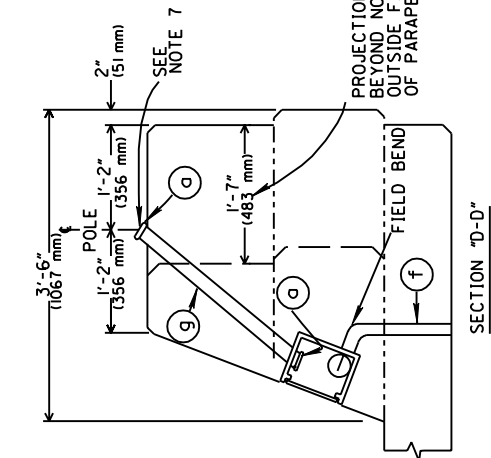
TOP VIEW OF JUNCTION BOXES (CONDUIT OPENINGS NOT SHOWN)

- LIST OF ITEMS SHOWN BELOW
- (a) GROUNDING BUSHING.
 - (b) MODIFIED 1/2" (38 mm) Ø CONDUIT LONG RADIUS 90° ELBOW.
 - (c) JUNCTION BOX.
 - (e) 2" (51 mm) Ø CONDUIT.
 - (f) 1/2" (51 mm) Ø CONDUIT DRAIN.
 - (g) 1/2" (38 mm) Ø CONDUIT.

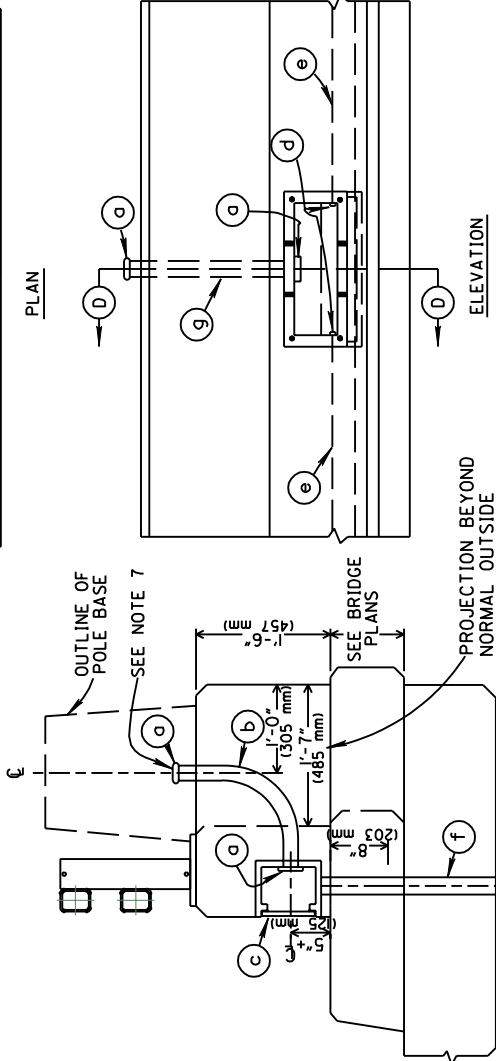
JUNCTION BOX WITH STEEL PLATE COVER ONLY



SECTION "F-F"



SECTION "D-D"



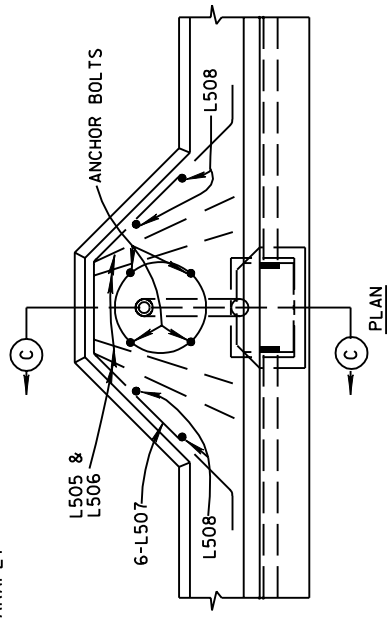
PLAN

ELEVATION

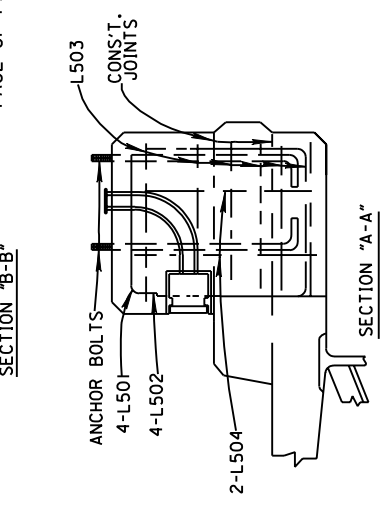
REINFORCING STEEL LIST - ONE PILASTER

MARK NO.	LENGTH	WEIGHT	SHAPE	TYPE	A	B	C	D
L501	4 3'-1" (.94 m)	13 lb (6 kg)	B	1	2'-1" (.63 m)	7" (.18 m)	7" (.18 m)	7" (.18 m)
L502	4 7'-8" (2.3 m)	31 lb (14 kg)	B	1	2'-1" (.63 m)	2'-11" (.89 m)	2'-11" (.89 m)	2'-11" (.89 m)
L503	6 8'-0" (2.5 m)	50 lb (17 kg)	B	3	2'-1" (.63 m)	1'-4" (.41 m)	2'-1" (.63 m)	0'-6" (.15 m)
L504	4 2'-11" (.88 m)	12 lb (6 kg)	S	1	1'-10" (.55 m)	7" (.18 m)	7" (.18 m)	7" (.18 m)
L505	4 2'-10" (.86 m)	12 lb (6 kg)	B	1	1'-10" (.55 m)	7" (.18 m)	7" (.18 m)	7" (.18 m)
L506	4 8'-5" (2.6 m)	36 lb (16 kg)	B	2	2'-4" (.71 m)	0'-2" (.098 m)	3'-2" (.97 m)	0'-6 1/2" (.17 m)
L507	6 7'-3" (1.8 m)	45 lb (20 kg)	B	3	1'-10" (.55 m)	1'-4" (.41 m)	1'-10" (.55 m)	0'-6" (.15 m)
L508	4 3'-2" (.96 m)	13 lb (6 kg)	S	1	1'-10" (.55 m)	7" (.18 m)	7" (.18 m)	7" (.18 m)

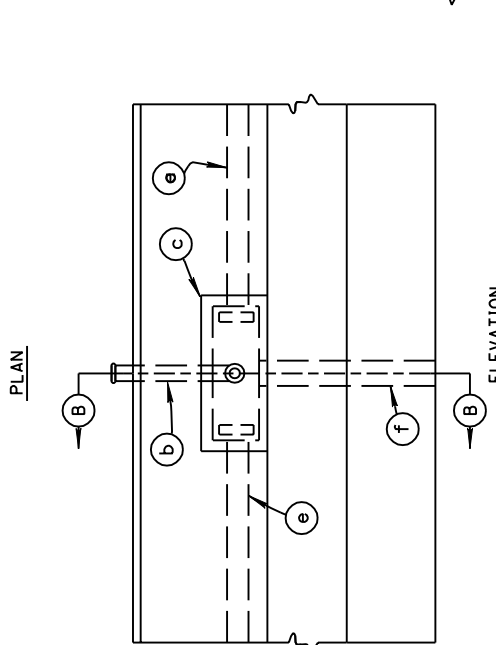
BAR SIZE IS INDICATED IN THE BAR MARK. THE FIRST DIGIT WHERE THREE DIGITS ARE USED INDICATES THE BAR SIZE NUMBER. FOR EXAMPLE: L501 IS A NO. 5 SIZE BAR WHICH IS 5/8" (15.8 mm) DIA.



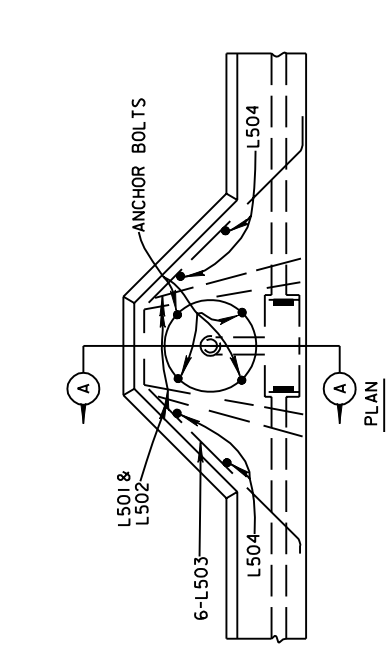
SECTION "C-C"



SECTION "A-A"



ELEVATION



PLAN

REINFORCING STEEL LIGHT POLE PILASTER FOR BRIDGE WITH STANDARD ROADWAY RAILING

REINFORCING STEEL LIGHT POLE PILASTER FOR BRIDGE WITH SIDEWALK RAILING