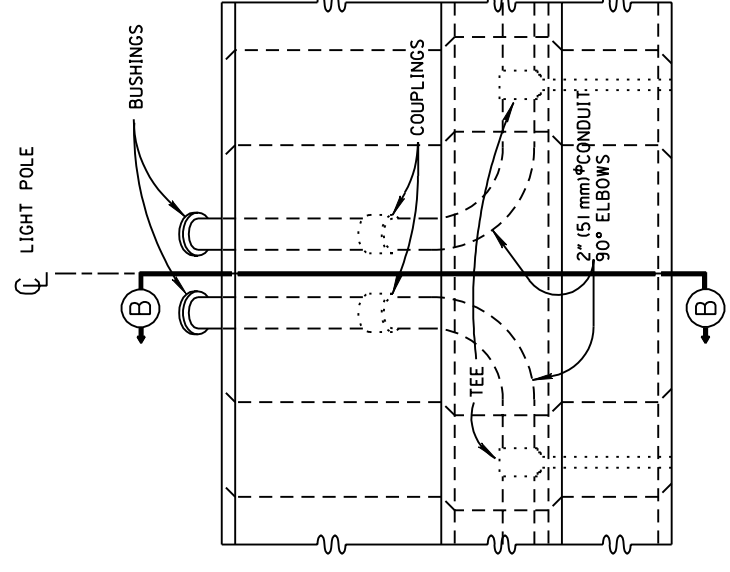
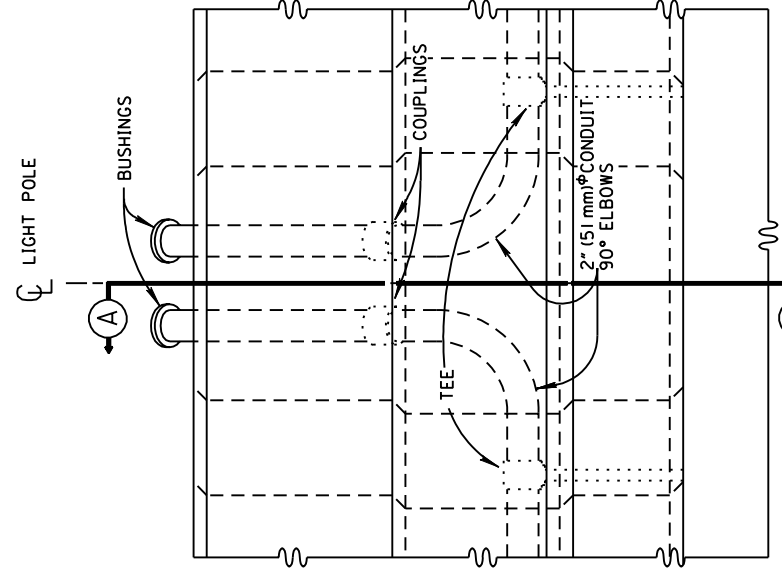


NOTES

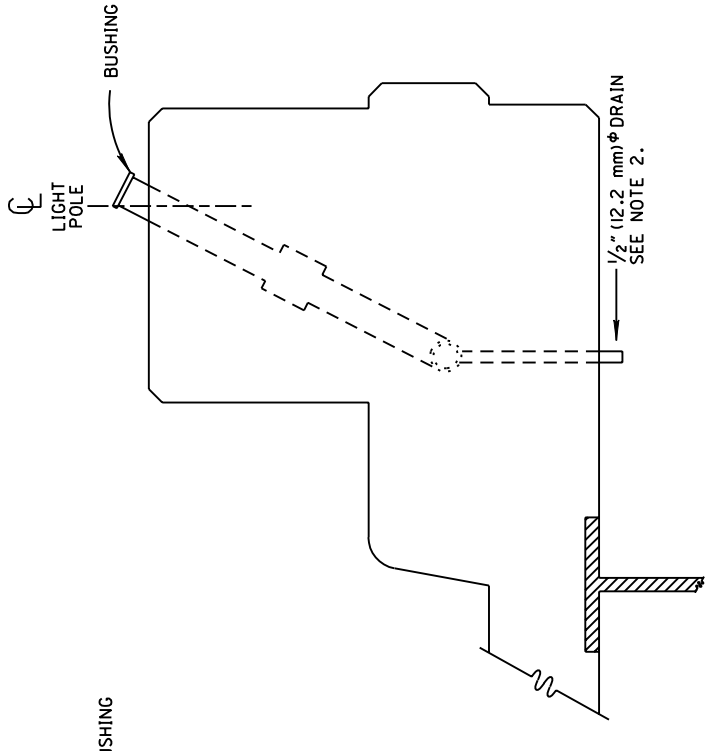
- Covers shall be 1/4" (6 mm) min. thick cast iron.
- Install 1/2" (12.2 mm) conduit drains at low point(s) in raceway between light pole pilasters. Exposed drain openings shall be provided with and approved, corrosion resistant metal screen or perforated plastic cap with 1/8" (3 mm) openings.
- For grounding details see: HL-50.21, Structure Grounding.



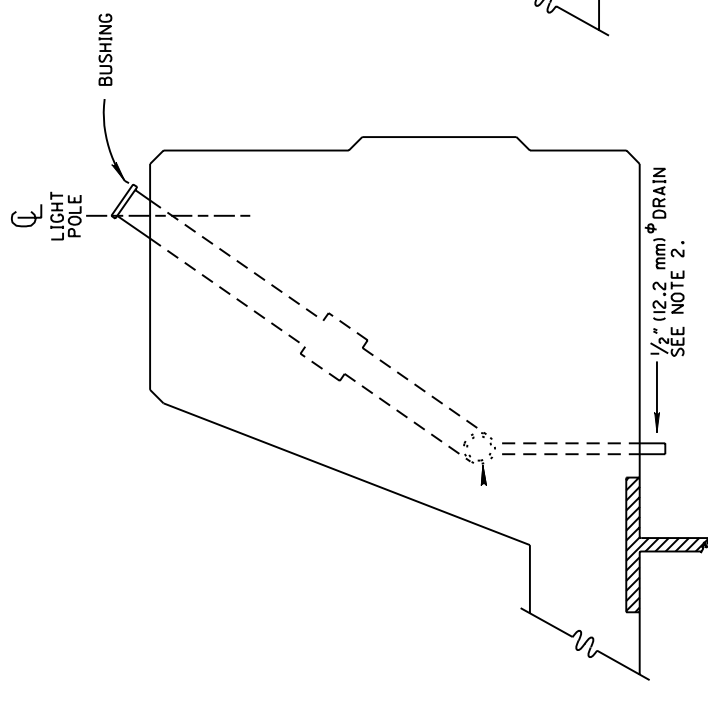
ELEVATION



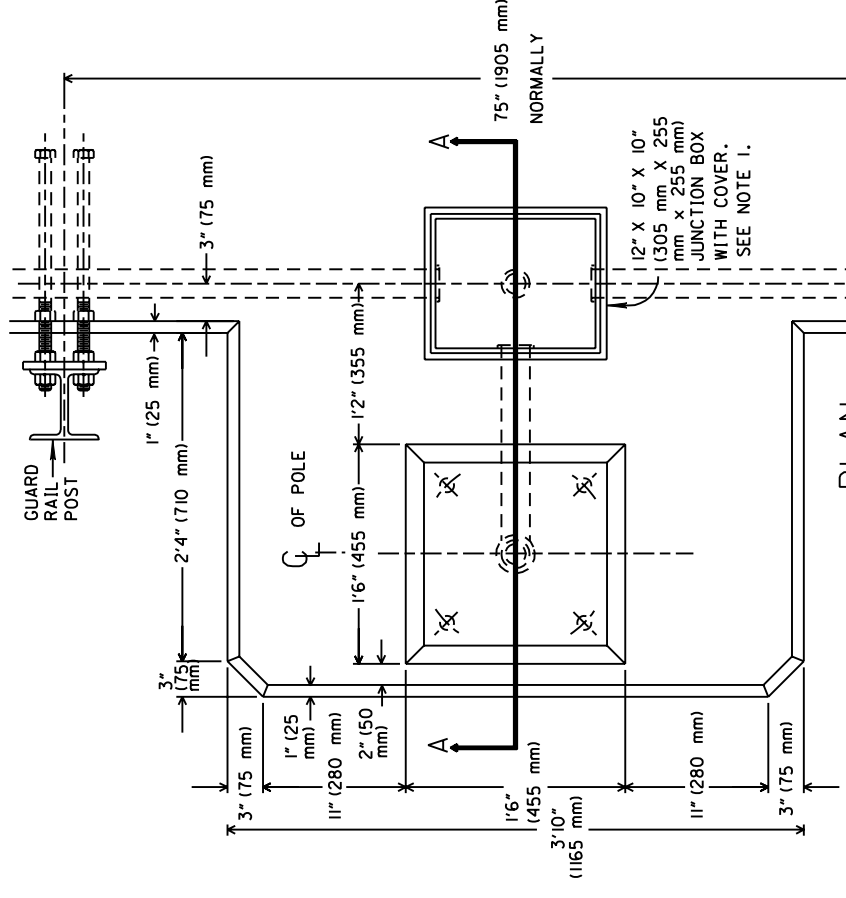
ELEVATION



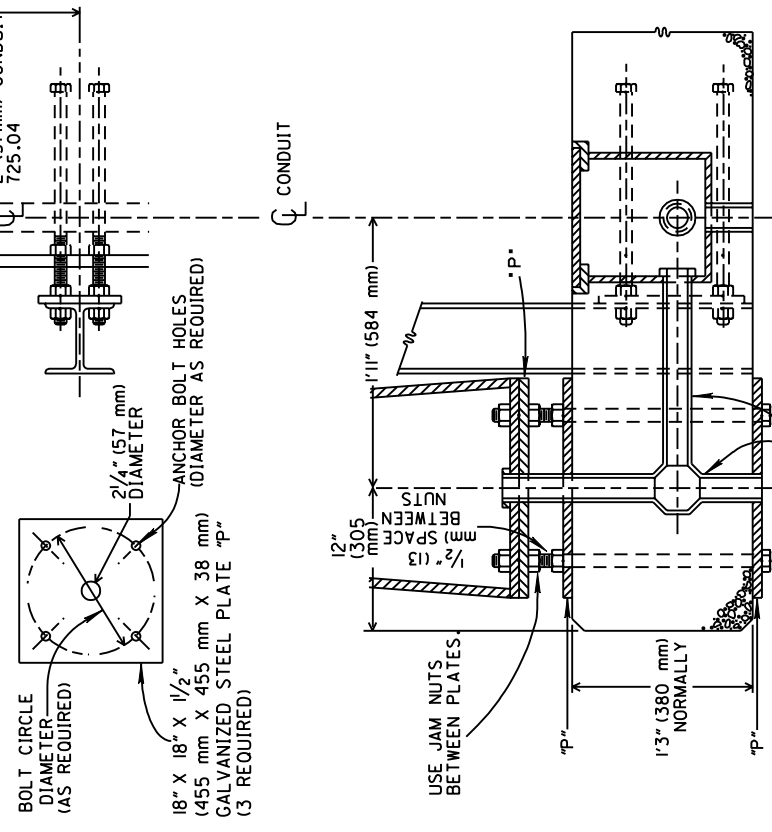
SECTION "B-B"



SECTION "A-A"



PLAN



SECTION A-A

LIGHT POLE PILASTER FOR BRIDGE WITHOUT CURBS AND WITH HIGHWAY GUARD RAIL

STANDARD PIPE AND FITTINGS
2" (51 mm) SCHEDULE 40 PIPE

RACEWAY WITHOUT JUNCTION BOXES

BRIDGE WITH ROADWAY RAILINGS BRIDGE WITH SIDEWALK RAILING