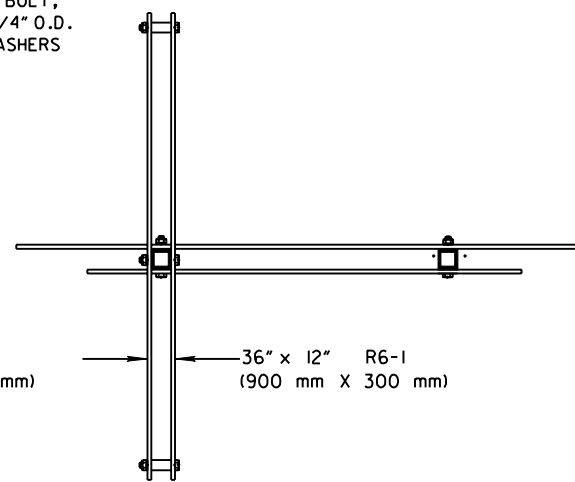
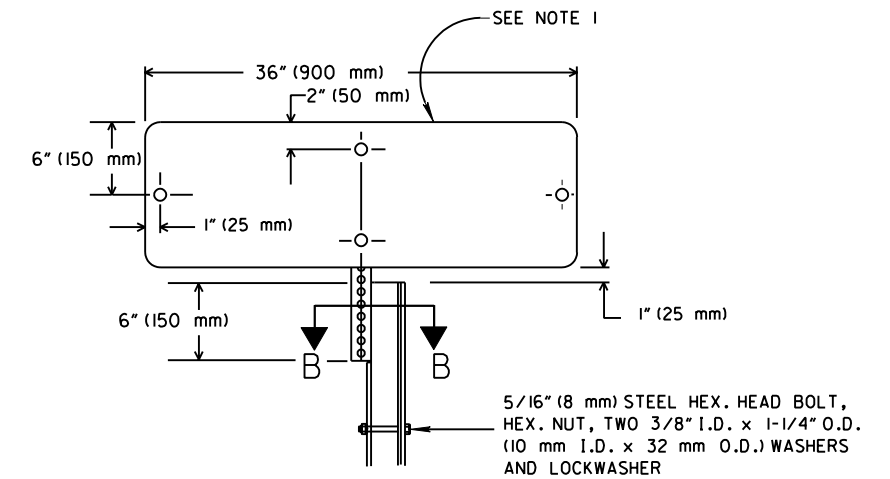
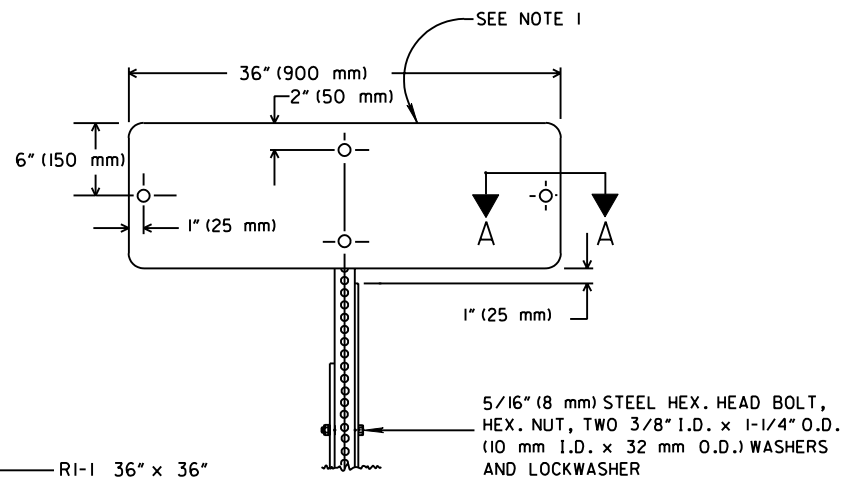


SECTION A-A

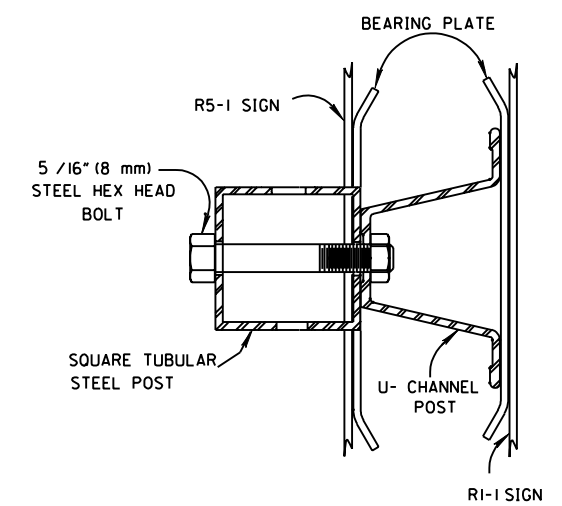
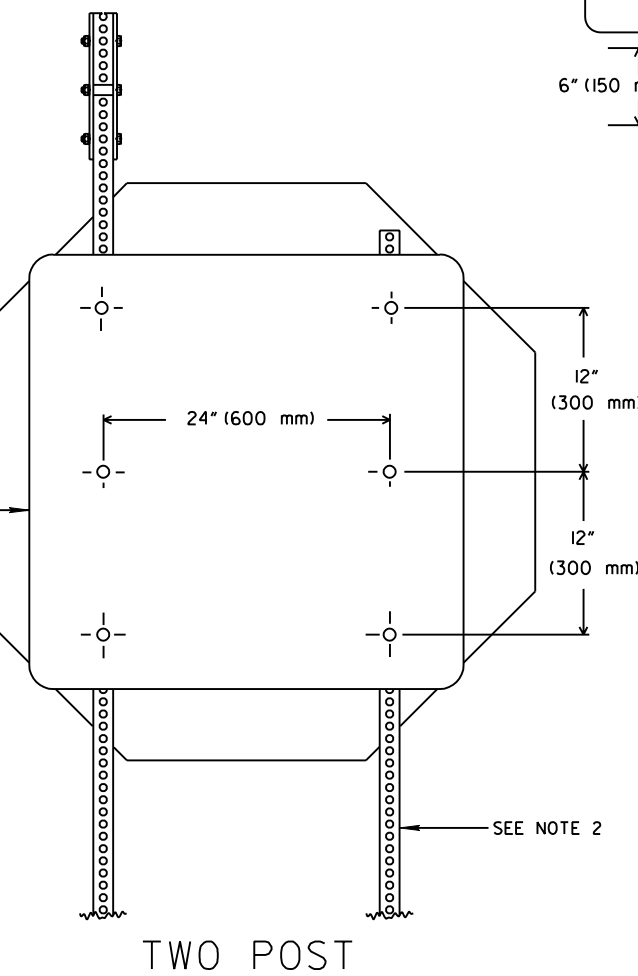
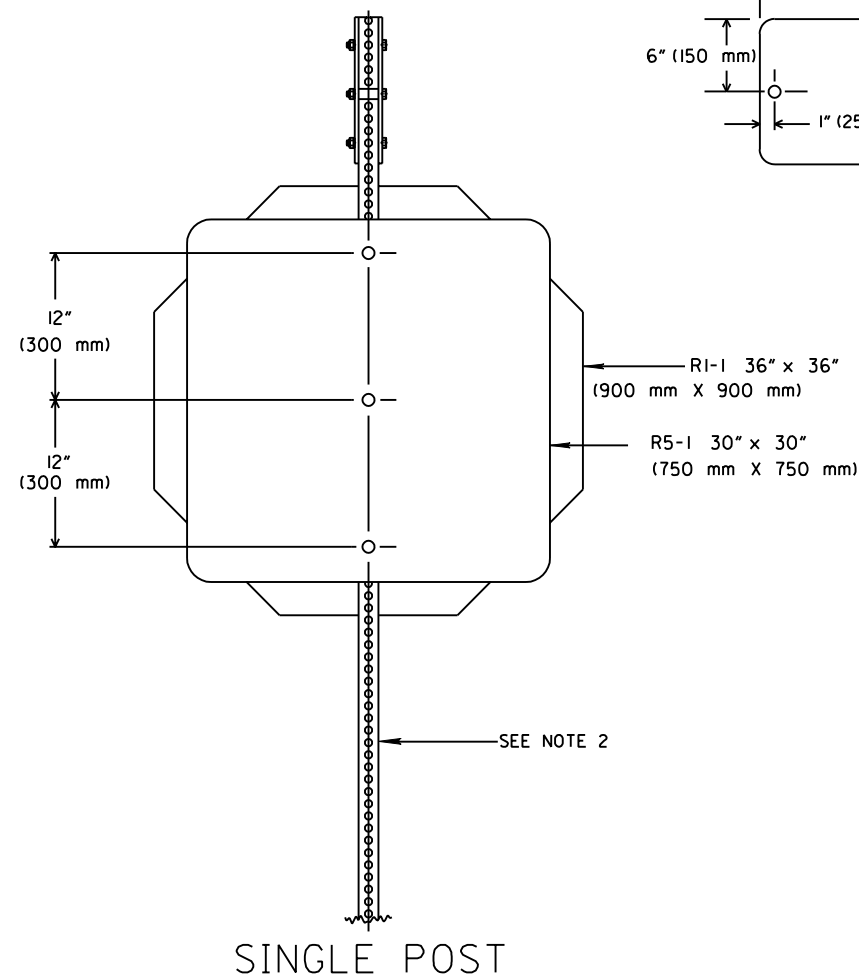
36" x 12" R6-1  
(900 mm X 300 mm)



- NOTES
1. In special situations, a 48" x 18" (1200 mm X 450 mm) R6-1 sign may be used in lieu of the 36" x 12" (900 mm X 300 mm) R6-1 sign.
  2. All supports shall be square tubular steel; however, in lieu of square tubular steel, u-channel supports may be used with the alternate ONE WAY sign attachment arrangement.
  3. Length of spacer shall be equal to post size.
  4. For post(s) installation details, see Standard Construction Drawing TC-41.20.



ALTERNATE ONE WAY  
SIGN ATTACHMENT



SECTION B-B