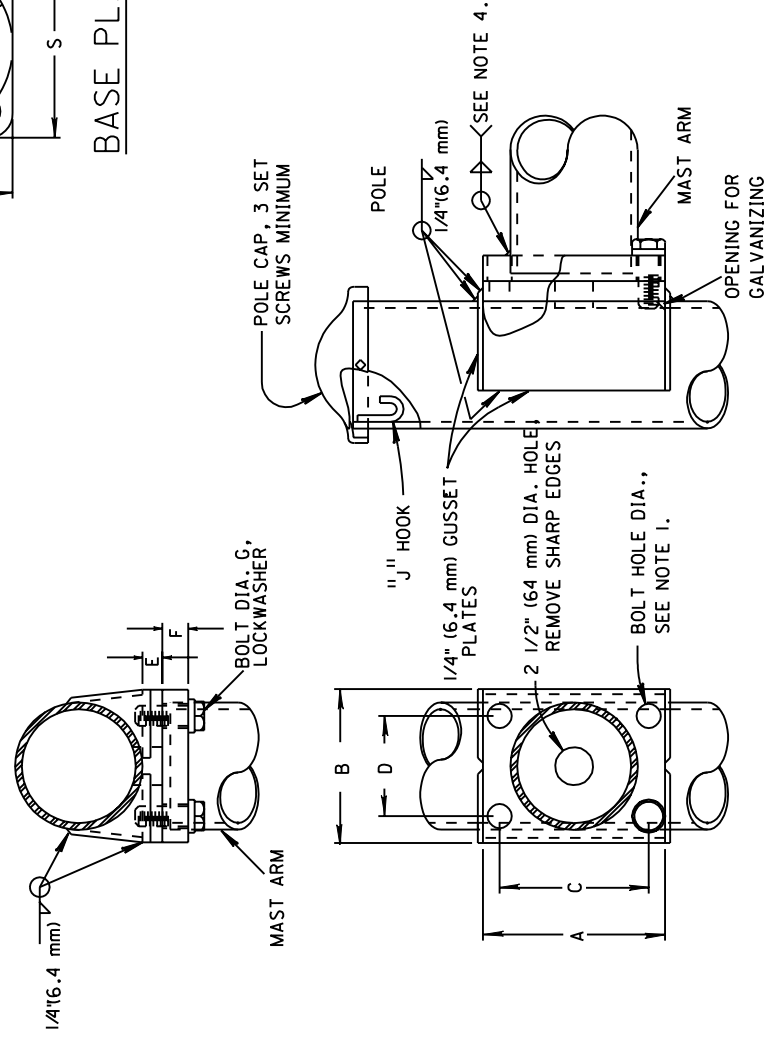
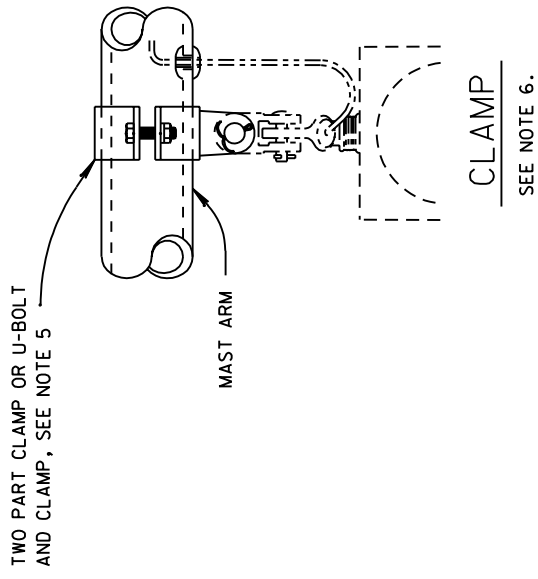
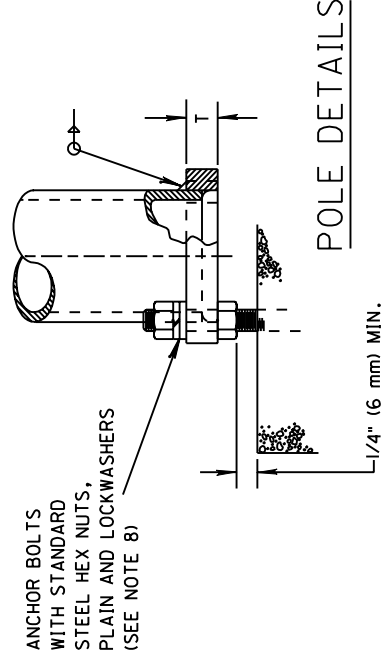
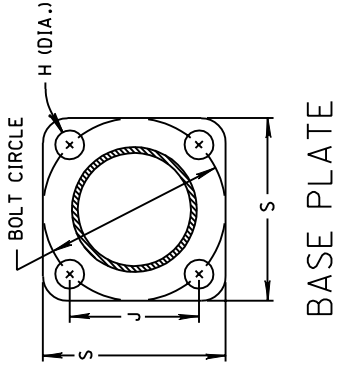
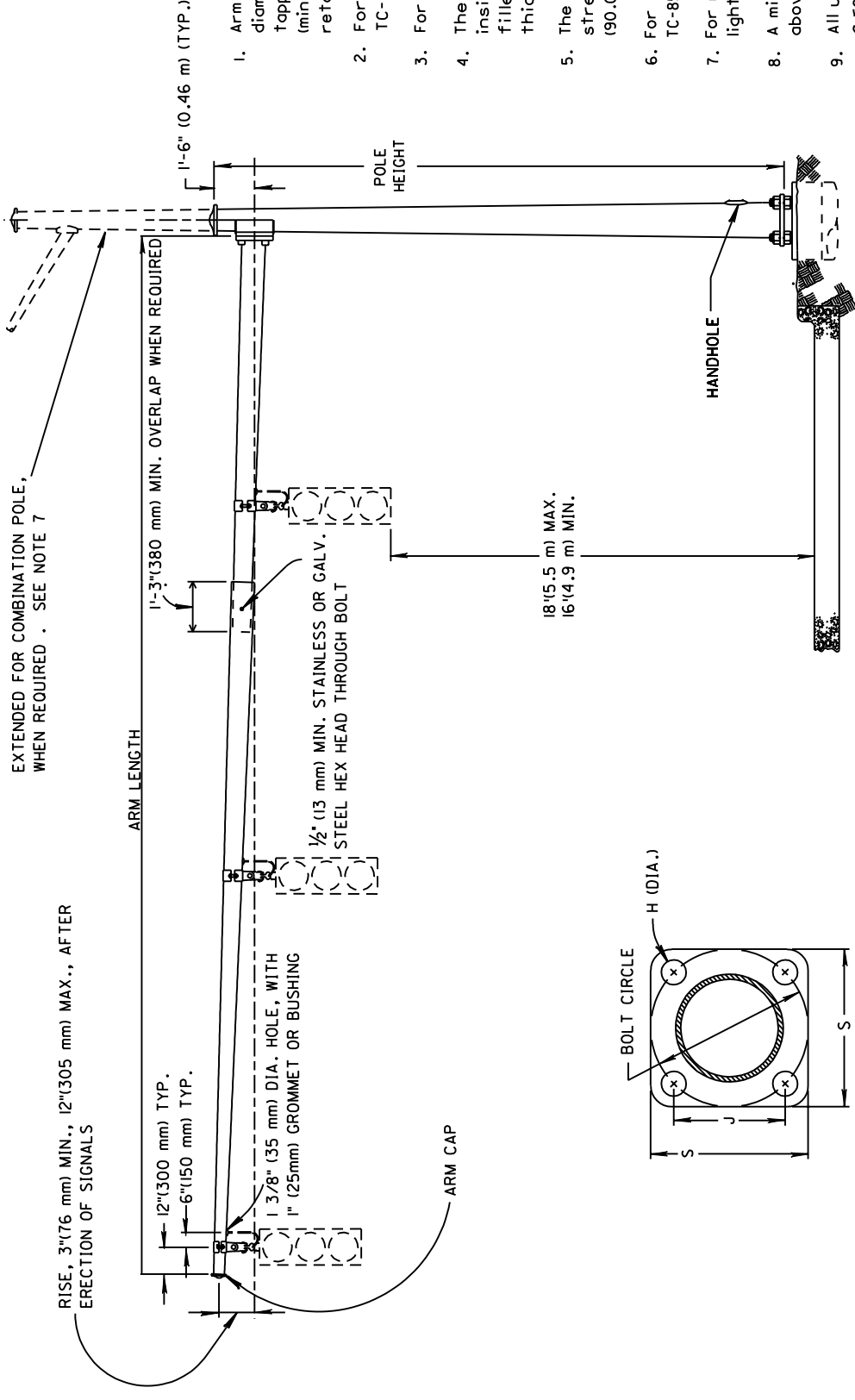


NOTES

1. Arm plate hole diameter shall be bolt diameter plus 1/8" (3.2 mm). Pole plate tapped hole shall have threads with 75% (min.) full profile height. Threads may be retapped after galvanizing.
2. For sign mounting details, see drawings TC-16.20 and TC-41.41.
3. For foundation details, see drawing TC-21.20.
4. The arm attachment plate shall be welded inside and outside with fillet welds. Each fillet weld shall be equal to the wall thickness of the tubing.
5. The mast arm clamp shall have a minimum strength at yield to support a 2000 pound (90.0 kilogram) load.
6. For signal attachment details, see drawing TC-85.20.
7. For modification of pole to support roadway lighting, see drawings TC-22.10 and HL-10.12.
8. A minimum of one bolt thread shall remain above the anchor nut.
9. All unused couplings shall be provided with a removable galvanized cast iron plug.
10. For pole and base plate dimensions, see sheet 2.
11. The wire entrance part of the signal head may be oriented in any direction to keep the cable drip loop from rubbing on the signal head. The signal head shall hang level and plumb.
12. For construction details and location of handholes, see drawing TC-22.10.



ARM ATTACHMENT

BASE PLATE

POLE DETAILS