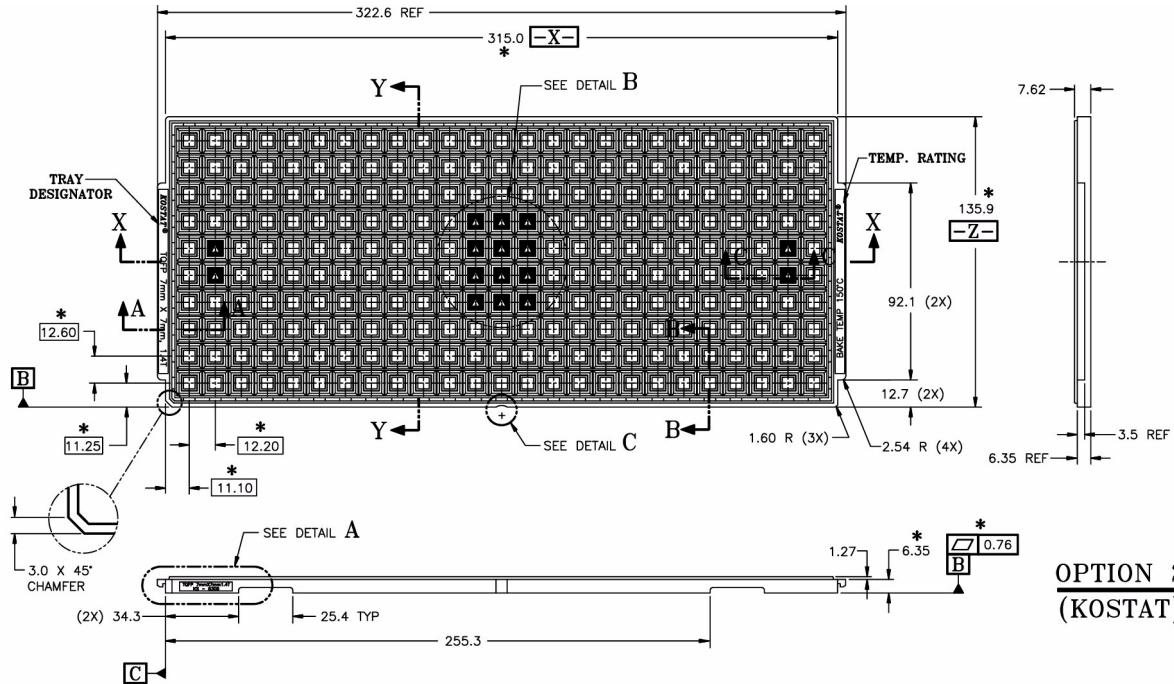


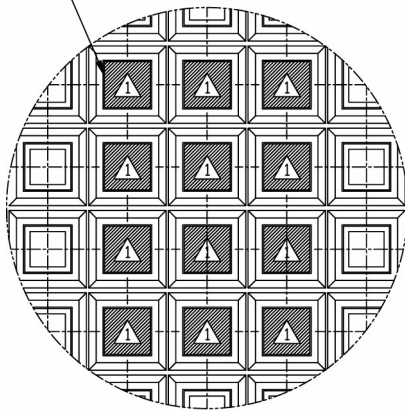
### Low Profile Quad Flat Package: 48-Lead PQL



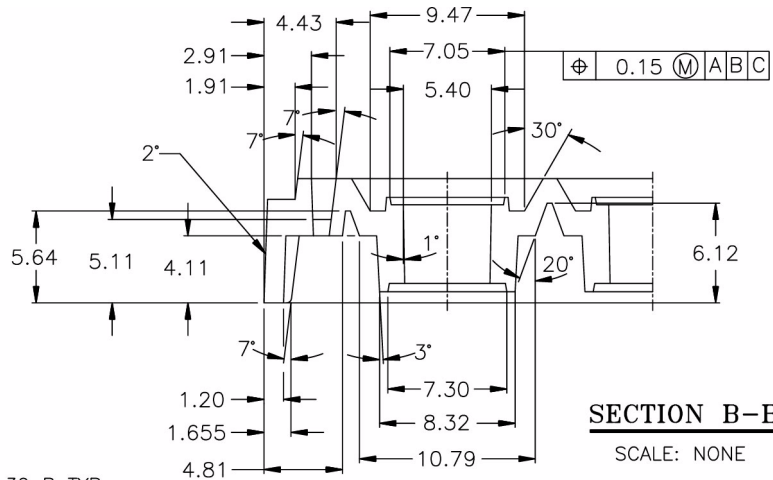
**NOTE:**

▲ VACUUM PICKUP CELL ~ SEE DETAIL "B".

VACUUM PICKUP CELLS  
16 PLACES (12 CENTER CELLS,  
4 PERIPHERY CELLS)

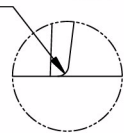


**DETAIL B**  
SCALE: NONE



**SECTION B-B**  
SCALE: NONE

**DETAIL E**  
SCALE: NONE

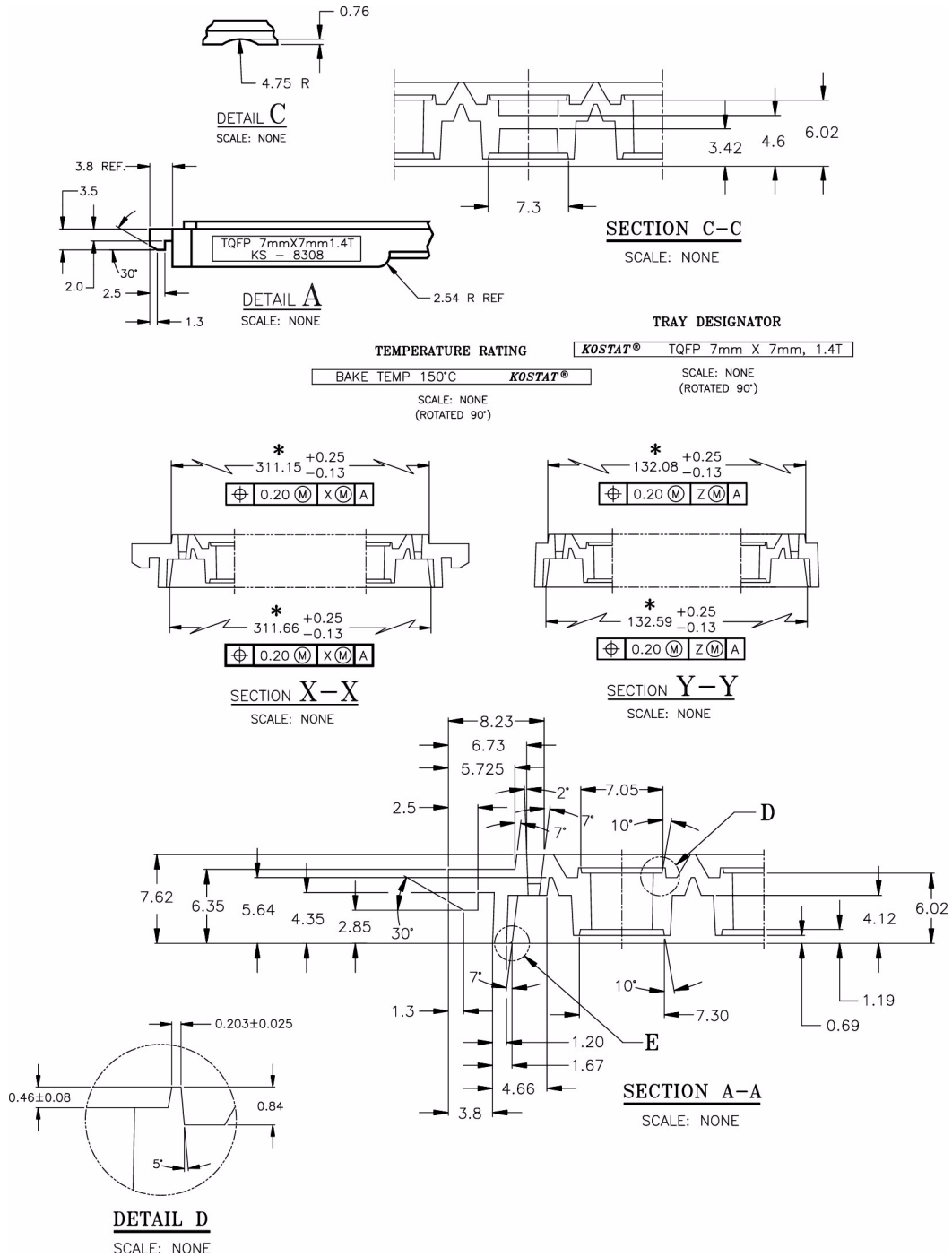


**Notes:**

- 1 All dimensions are in millimeters.
- 2 Trays can withstand continuous operation at temperatures up to 150°C.

(See next page for detailed views)

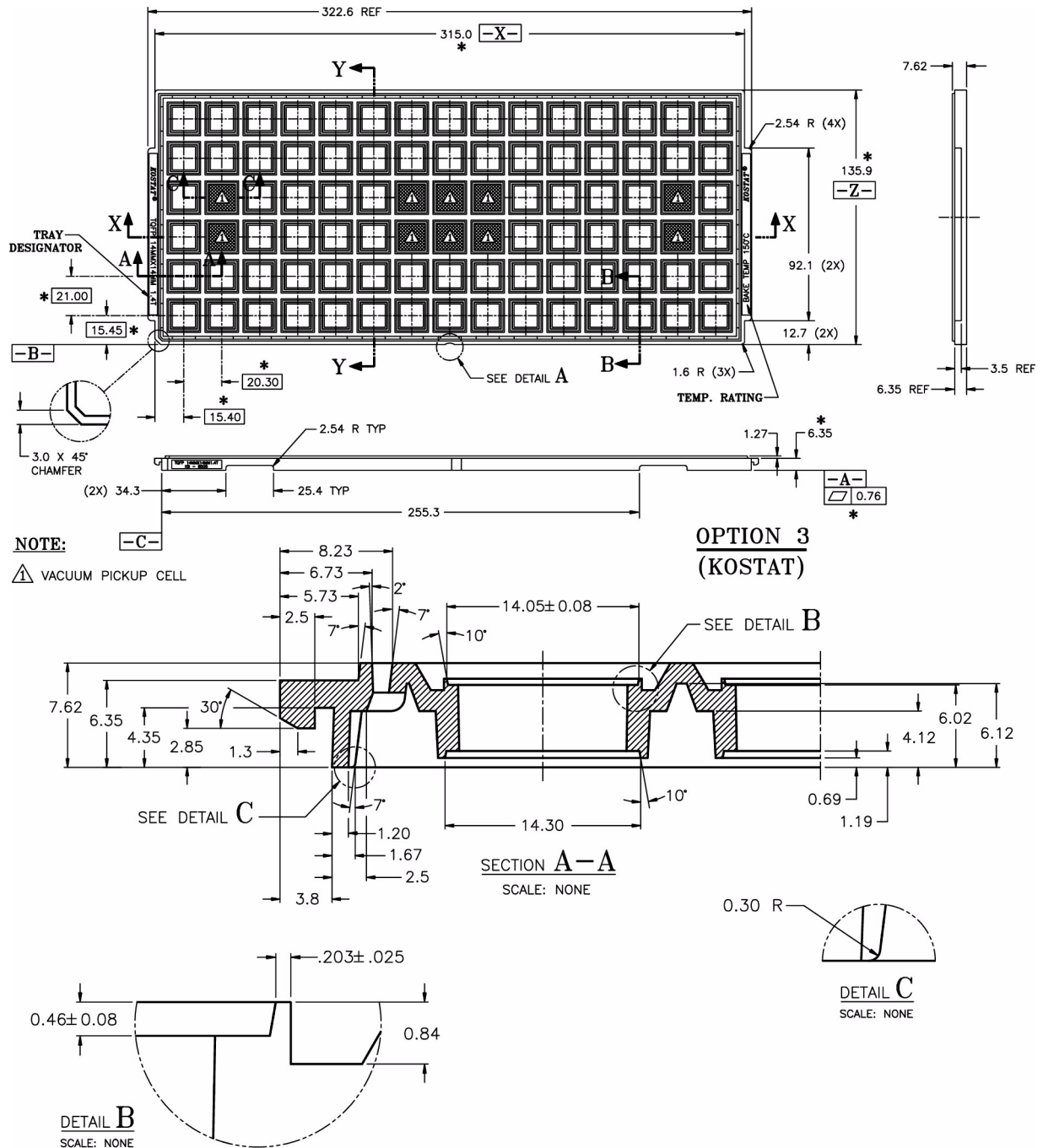
### Low Profile Quad Flat Package : 48-Lead PQL



**Notes:**

- 1 All dimensions are in millimeters.
- 2 Trays can withstand continuous operation at temperatures up to 150°C.

Low Profile Quad Flat Package: 64-, 100-Lead PDL, PQL

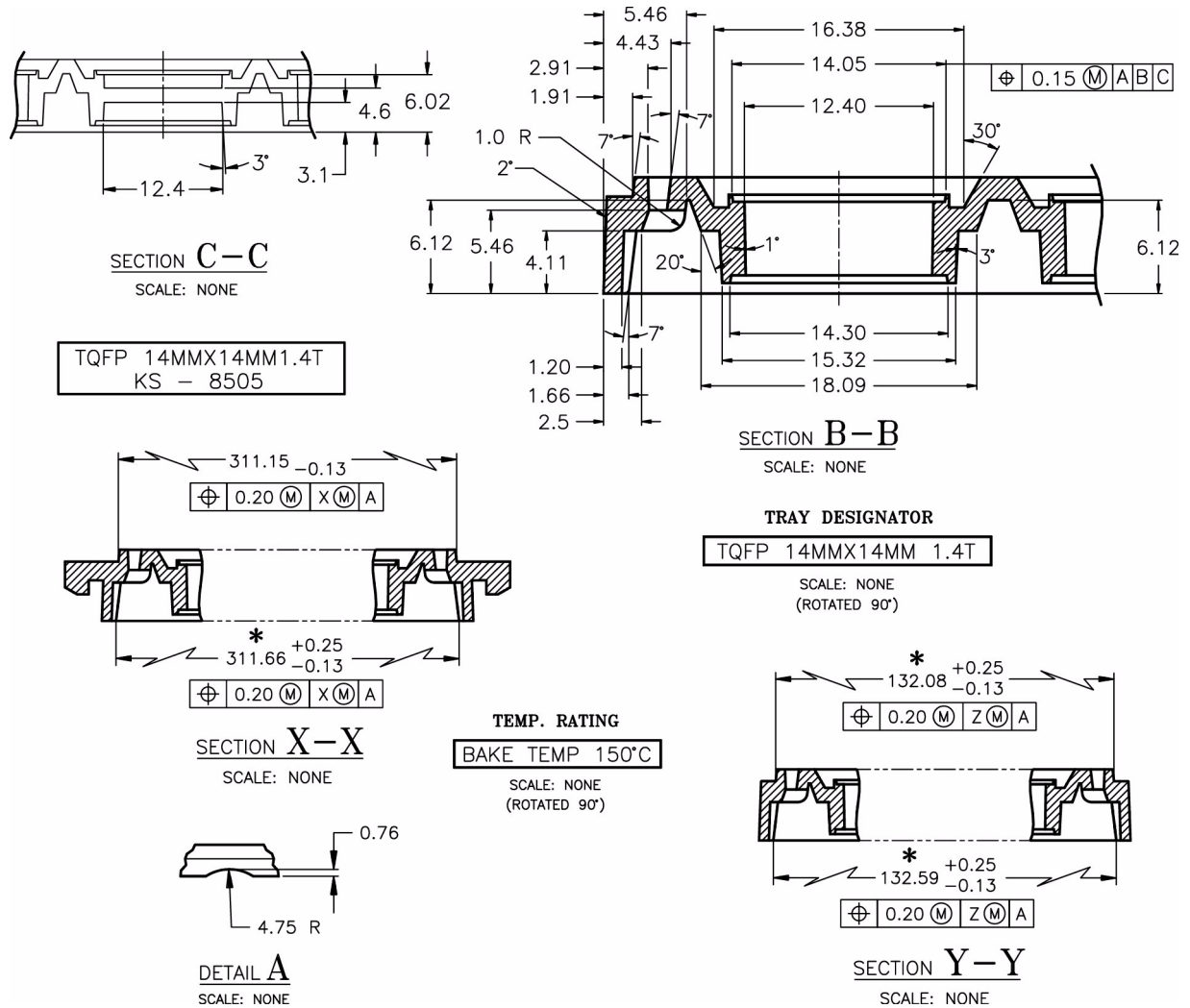


Notes:

- 1 All dimensions are in millimeters.
- 2 Trays can withstand continuous operation at temperatures up to 150°C.

(See next page for detailed views)

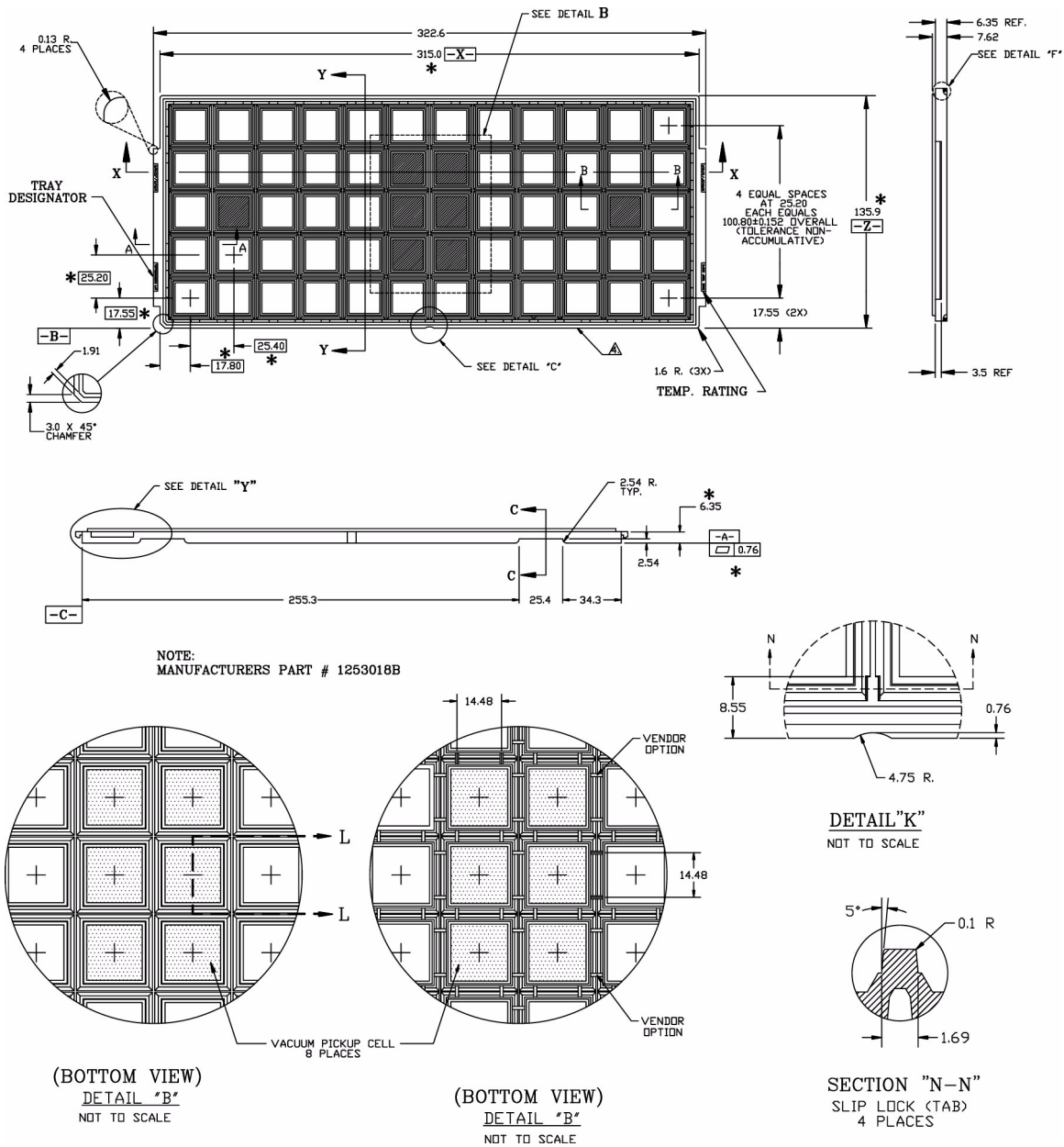
**Low Profile Quad Flat Package: 64-, 100-Lead PDL, PQL**



Notes:

- 1 All dimensions are in millimeters.
- 2 Trays can withstand continuous operation at temperatures up to 150°C.

### Low Profile Quad Flat Package: 144-Lead PDL, PQL

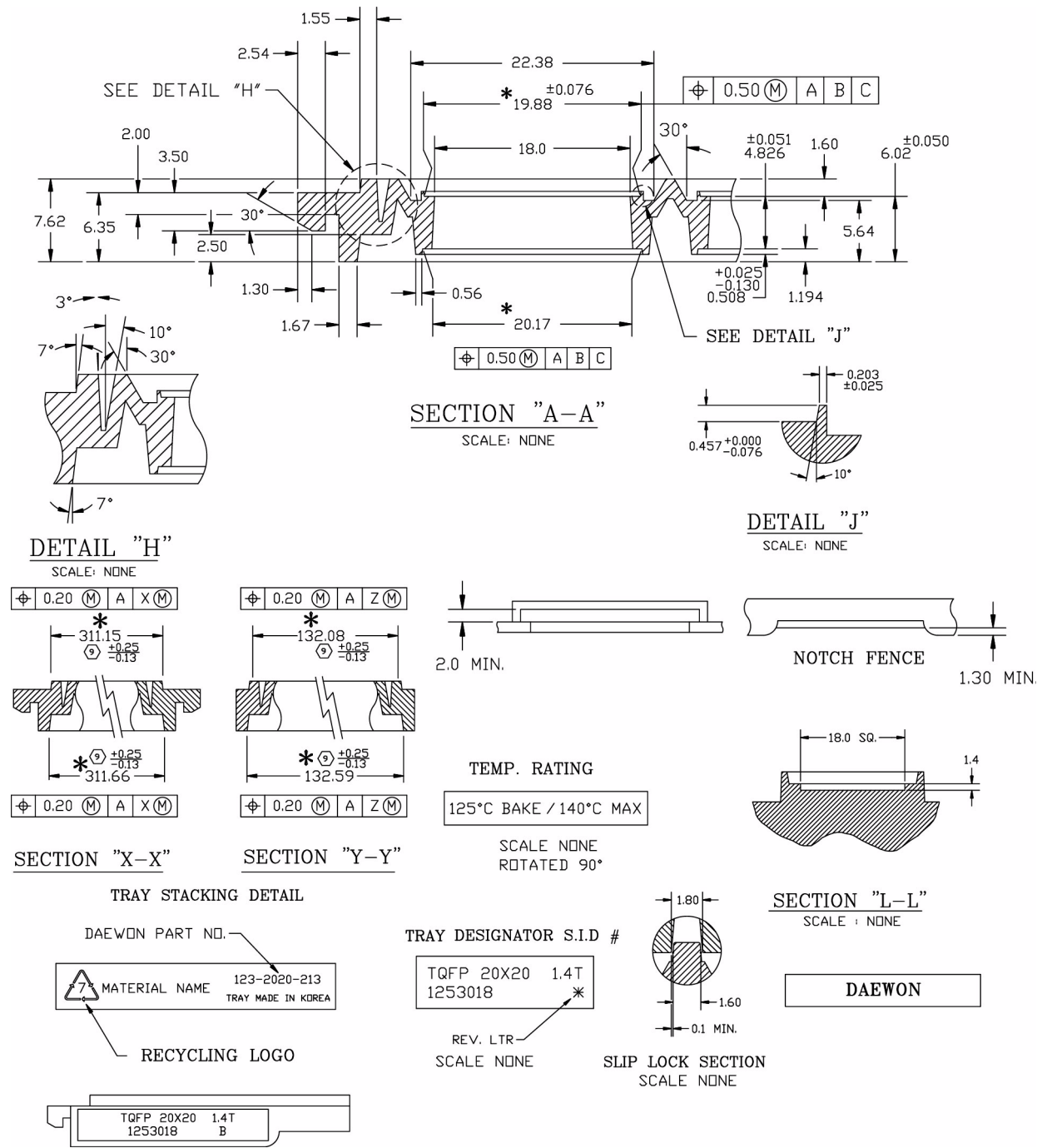


Notes:

- 1 All dimensions are in millimeters.
- 2 Trays can withstand continuous operation at temperatures up to 140°C.

(See next page for detailed views)

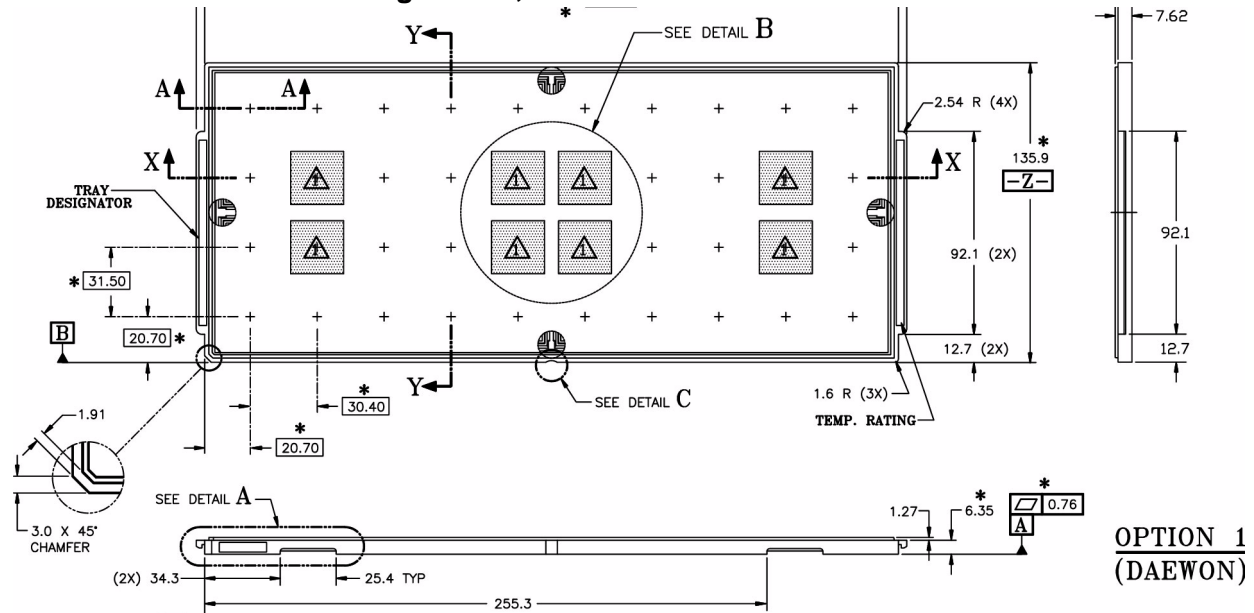
### Low Profile Quad Flat Package : 144-Lead PDL, PQL



**Notes:**

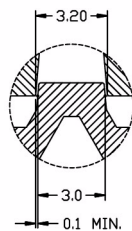
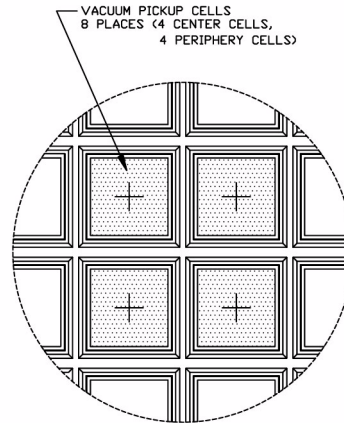
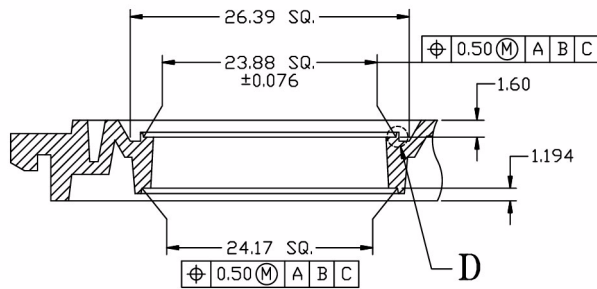
- 1 All dimensions are in millimeters.
- 2 Trays can withstand continuous operation at temperatures up to 140°C.

**Low Profile Quad Flat Package: 160-, 176-Lead PQL**



**NOTE:**

- 1. VACUUM PICKUP CELL ~ SEE DETAIL "B"
- 2. MANUFACTURER'S PART # IS 1212788 B



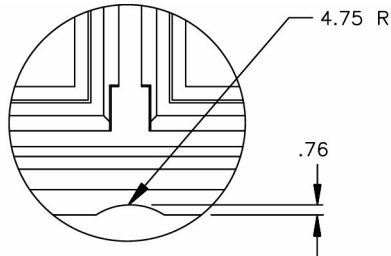
**OPTION 1 (DAEWON)**

**Notes:**

- 1 All dimensions are in millimeters.
- 2 Trays can withstand continuous operation at temperatures up to 140°C..

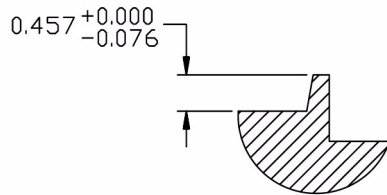
(See next page for detailed views)

**Low Profile Quad Flat Package: 160-, 176-Lead PQL**



**DETAIL C**

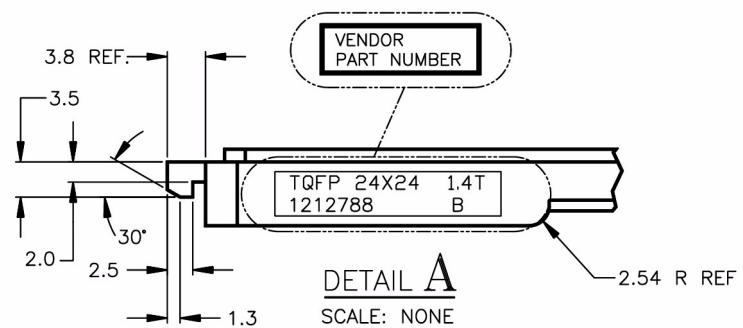
SCALE: NONE



**DETAIL D**

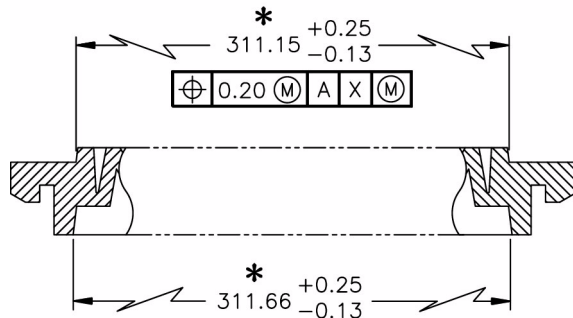
SCALE: NONE

**TRAY PURCHASING INFORMATION**



**DETAIL A**

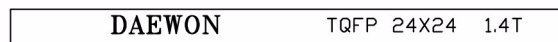
SCALE: NONE



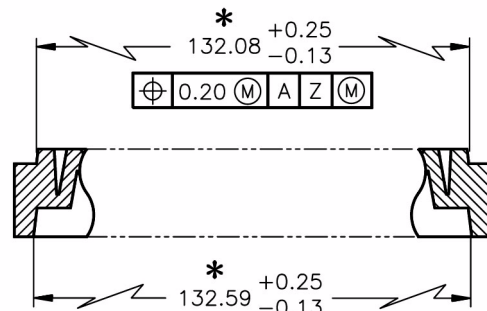
**SECTION X-X**

SCALE: NONE

**TRAY DESIGNATOR**



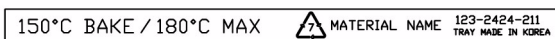
SCALE: NONE



**SECTION Y-Y**

SCALE: NONE

**TEMPERATURE RATING**



SCALE: NONE

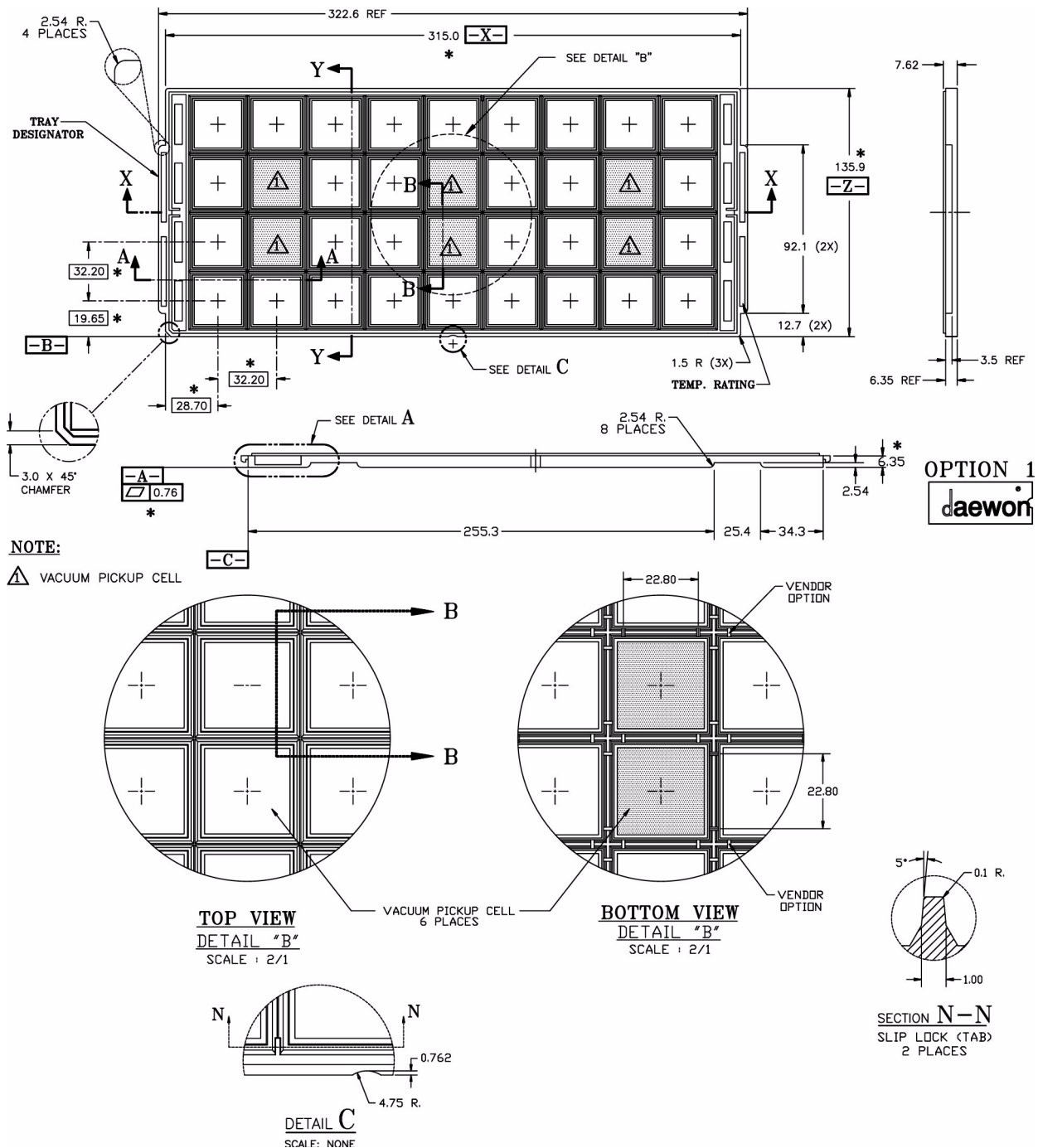
**OPTION 1  
(DAEWON)**

**Notes:**

- 1 All dimensions are in millimeters.
- 2 Trays can withstand continuous operation at temperatures up to 140°C.



### Low Profile Quad Flat Package: 208-Lead PQL

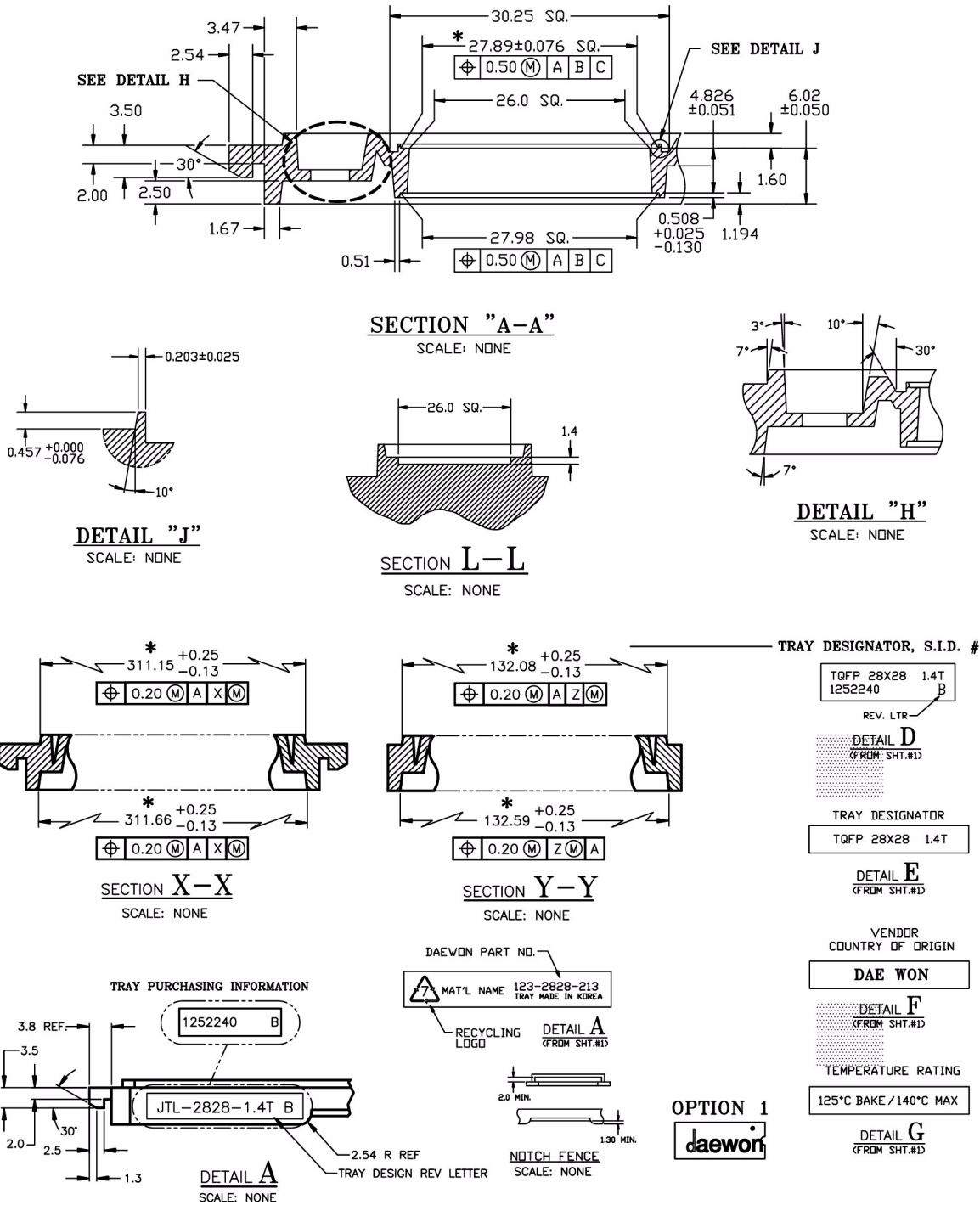


**Notes:**

- 1 All dimensions are in millimeters.
- 2 Trays can withstand continuous operation at temperatures up to 140°C.

(See next page for detailed views)

**Low Profile Quad Flat Package: 208-Lead PQL**



**Notes:**

- 1 All dimensions are in millimeters.
- 2 Trays can withstand continuous operation at temperatures up to 140°C.