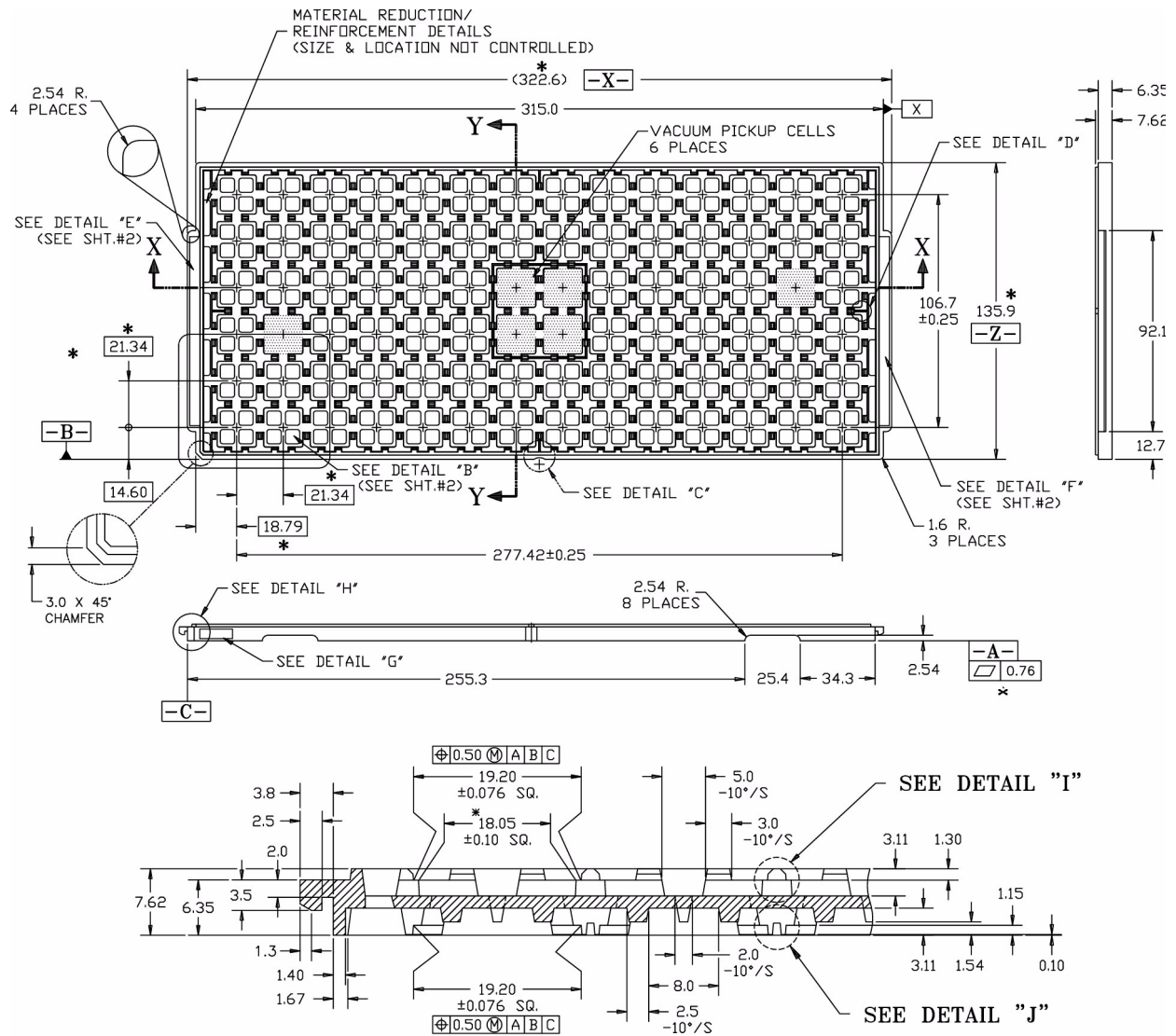


Plastic Ball Grid Array: 256-Ball (19 mm x 19 mm) BGT



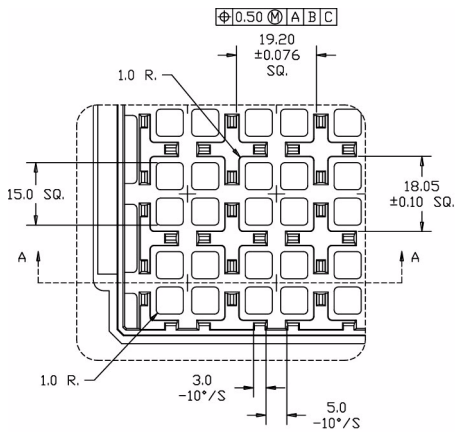
SECTION A-A
SCALE: NONE

Notes:

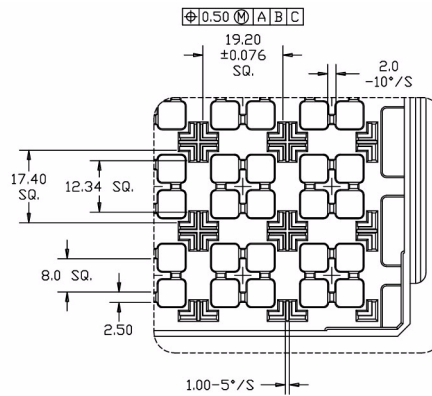
- 1 All dimensions are in millimeters.
- 2 Trays can withstand continuous operation at temperatures up to 140°C.

(See next page for detailed views)

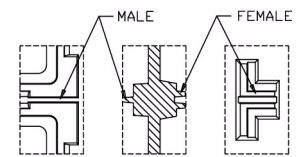
Plastic Ball Grid Array: 256-Ball (19 mm x 19 mm) BGT



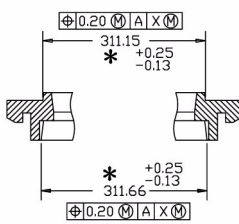
TOP VIEW
DETAIL "B"
SCALE: NONE



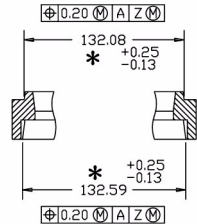
BOTTOM VIEW
DETAIL "B"
SCALE: NONE



SLIP-LOCK DETAILS
DETAIL "D"
SCALE: NONE



SECTION X-X
SCALE: NONE

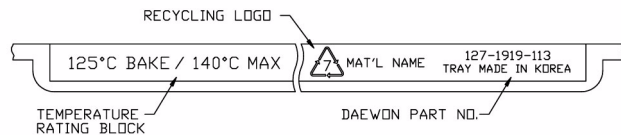


SECTION Y-Y
SCALE: NONE

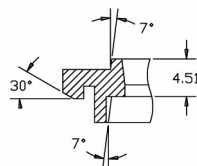
TRAY STACKING DETAIL



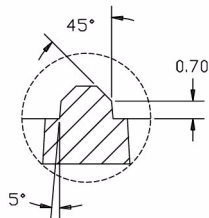
DETAIL "E"
SCALE: NONE



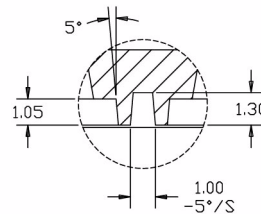
DETAIL "F"
SCALE: NONE



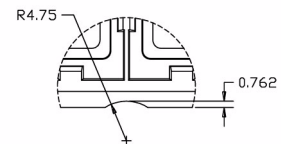
DETAIL "H"
SCALE: 4/1



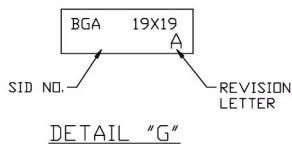
DETAIL "I"
SCALE: NONE



DETAIL "J"
SCALE: NONE



DETAIL "C"
SCALE: NONE

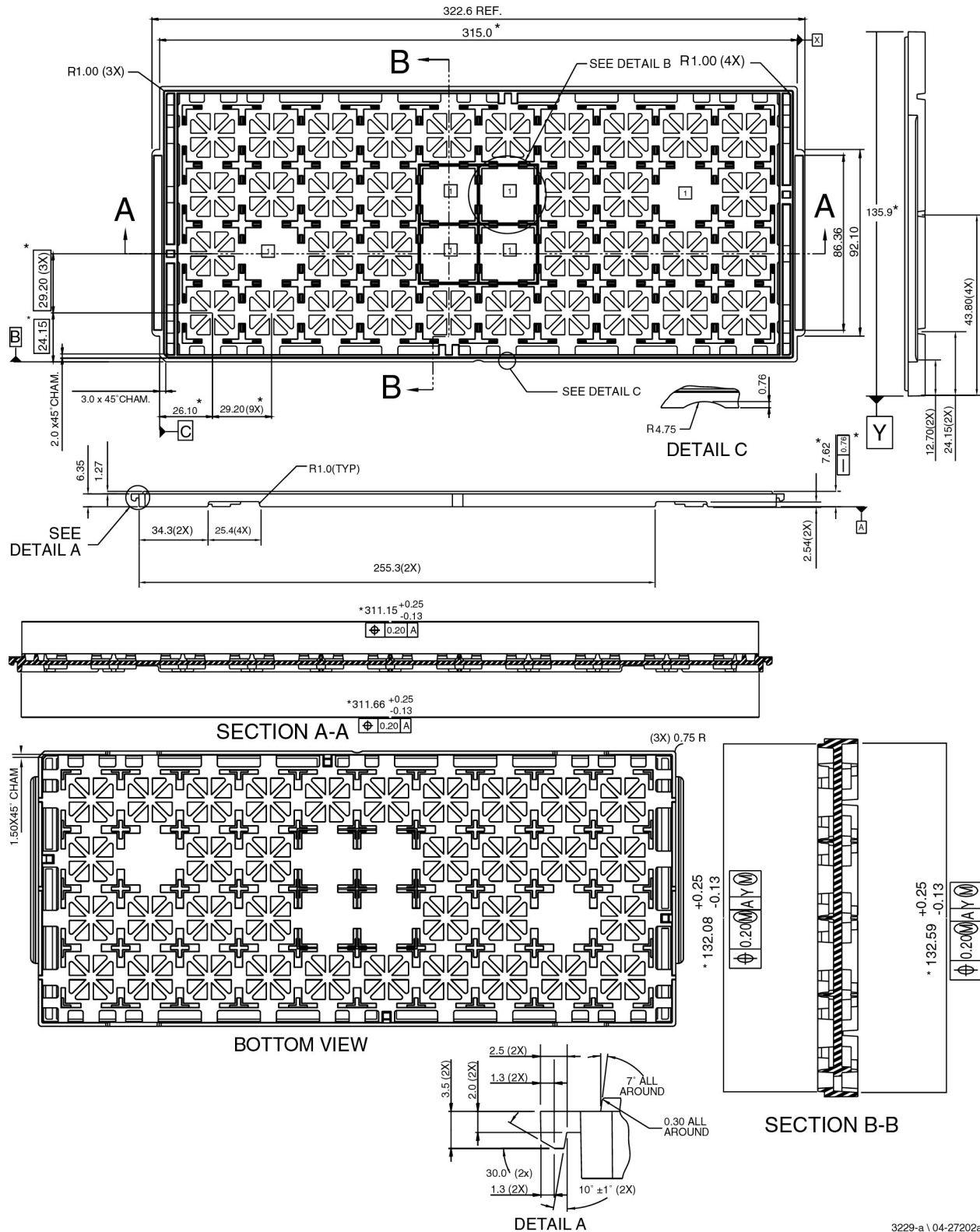


DETAIL "G"

Notes:

- 1 All dimensions are in millimeters.
- 2 Trays can withstand continuous operation at temperatures up to 140°C.

Plastic Ball Grid Array: 272-, 292-, 328-Ball (27 mm x 27 mm) BGA

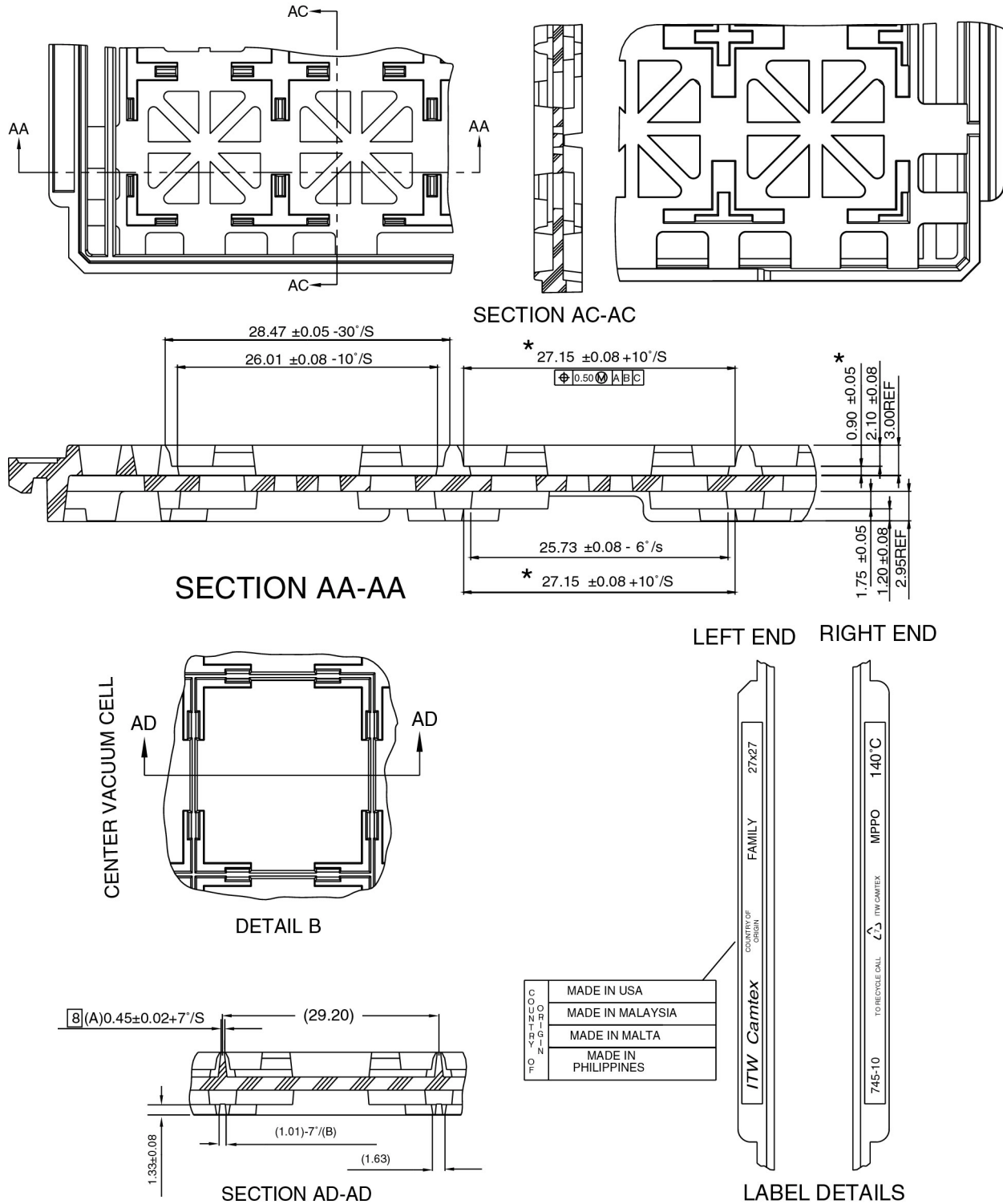


Notes:

- 1 All dimensions are in millimeters.
- 2 Trays can withstand continuous operation at temperatures up to 140°C.

(See next page for detailed views)

Plastic Ball Grid Array: 272-, 292-, 328-Ball (27 mm x 27 mm) BGA

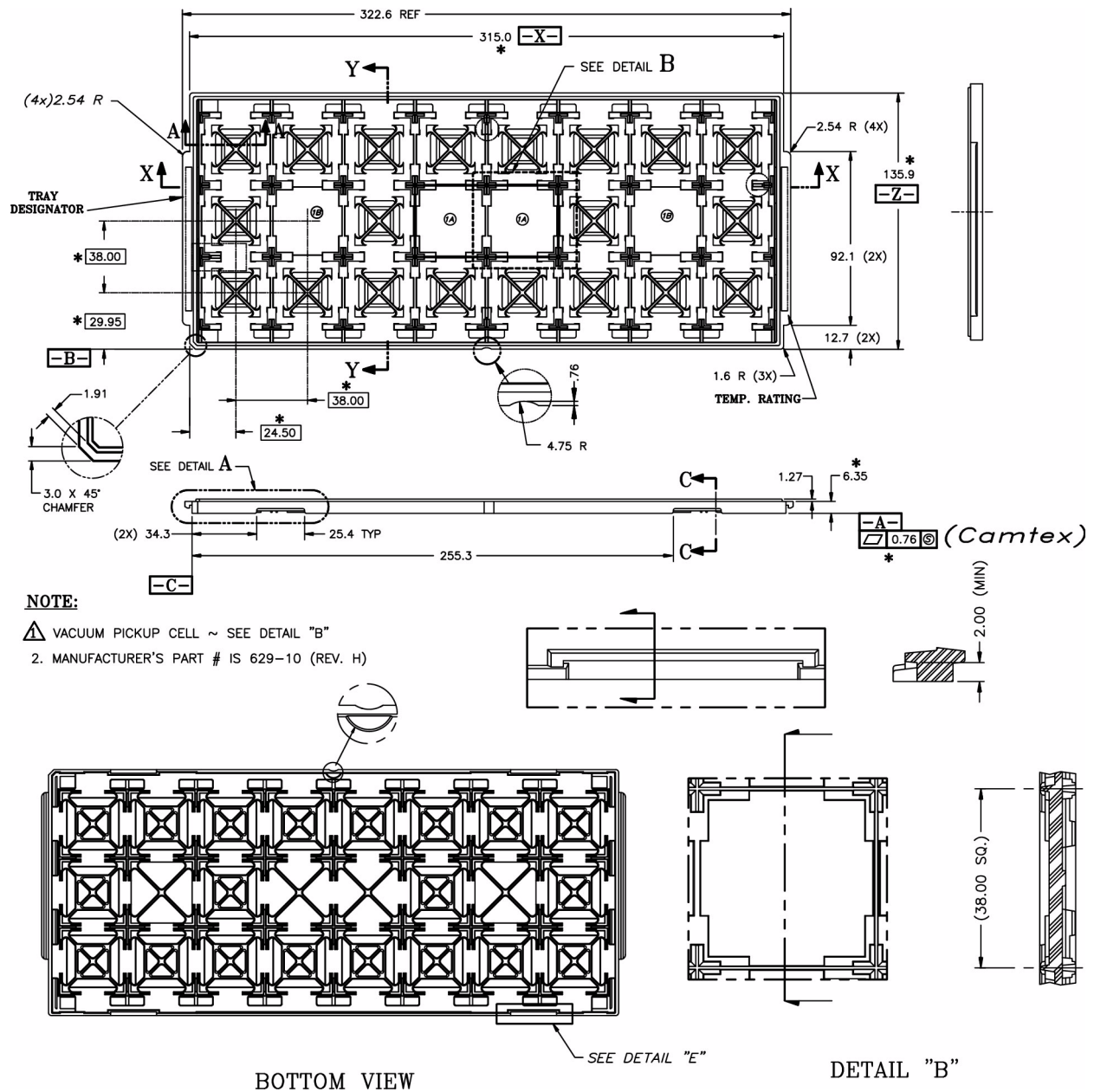


3229-2 \ 04-27202A

Notes:

- 1 All dimensions are in millimeters.
- 2 Trays can withstand continuous operation at temperatures up to 140°C.

Plastic Ball Grid Array: 420-Ball (35 mm x 35 mm) BGD

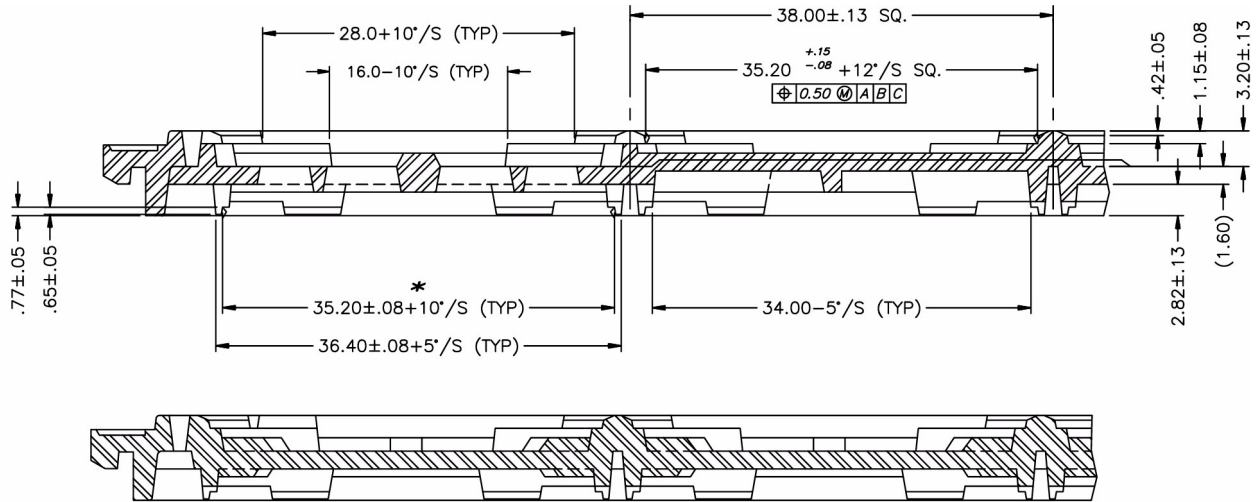


Notes:

- All dimensions are in millimeters.
- Trays can withstand continuous operation at temperatures up to 140°C.

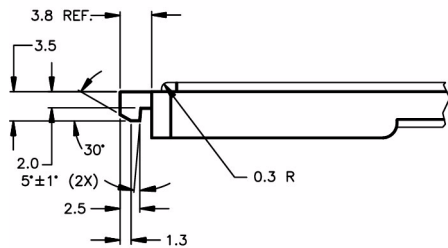
(See next page for detailed views)

Plastic Ball Grid Array: 420-Ball (35 mm x 35 mm) BGD



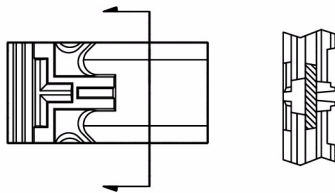
SECTION A-A

SCALE: NONE

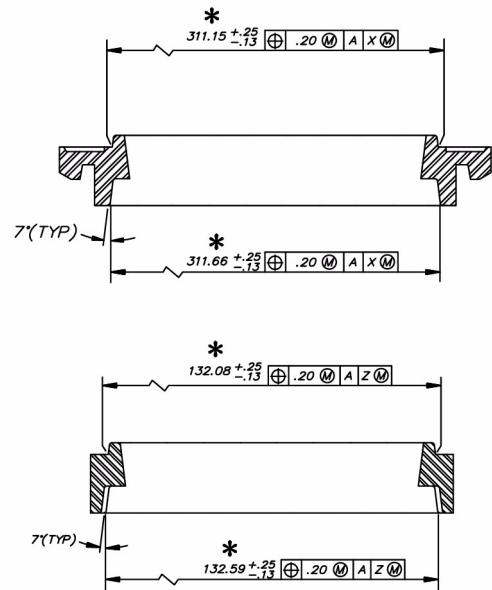
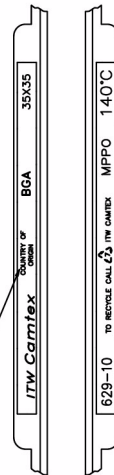


DETAIL A

SCALE: NONE



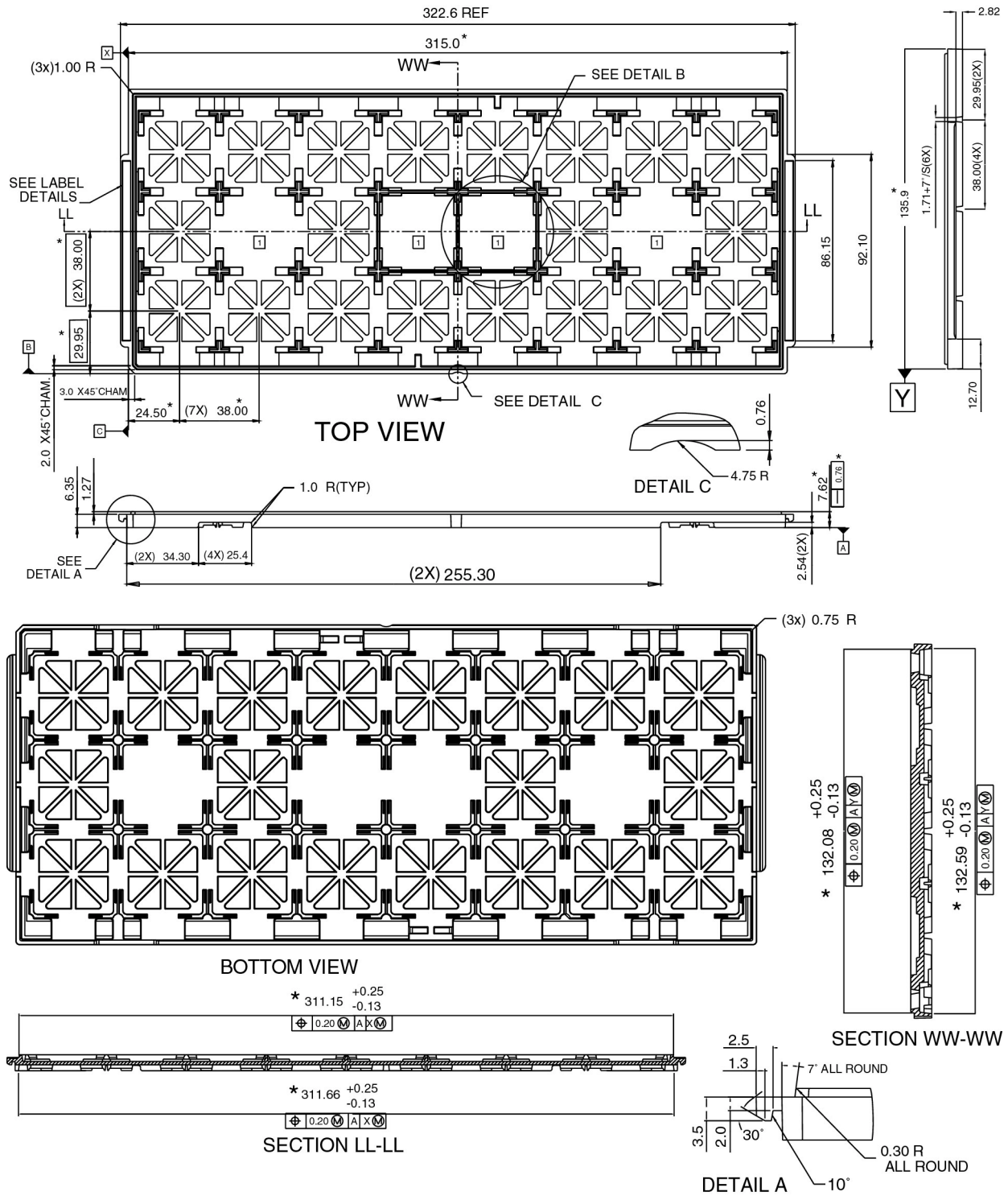
MADE IN USA
MADE IN MALAYSIA
MADE IN MALTA
MADE IN PHILIPPINES



Notes:

- 1 All dimensions are in millimeters.
- 2 Trays can withstand continuous operation at temperatures up to 140°C.

Plastic Ball Grid Array: 388-, 492-Ball (35 mm x 35 mm) BGA



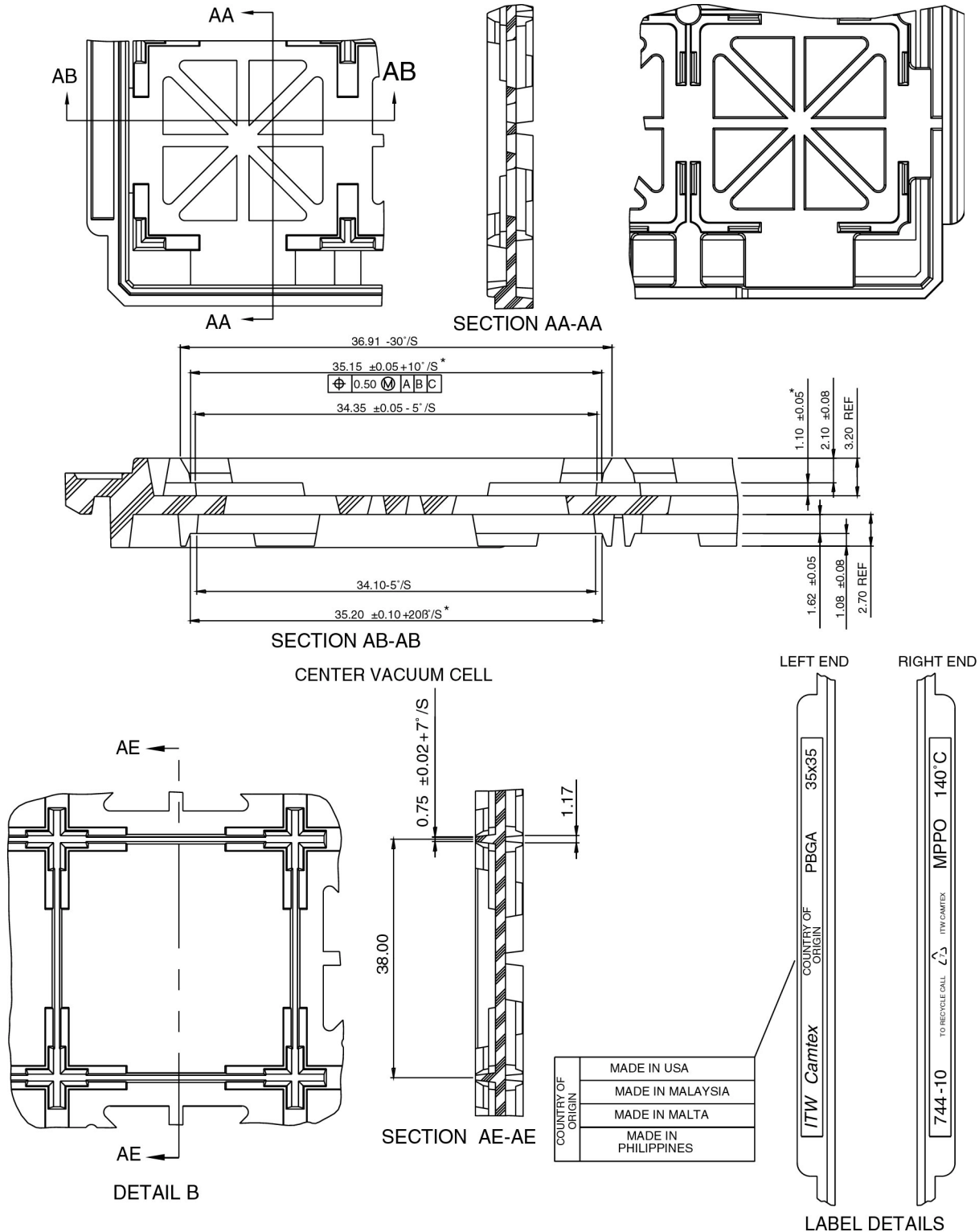
3230-1 \ 04-27203A

Notes:

- 1 All dimensions are in millimeters.
- 2 Trays can withstand continuous operation at temperatures up to 140°C.

(See next page for detailed views)

Plastic Ball Grid Array: 388, 492-Ball (35 mm x 35 mm) BGA

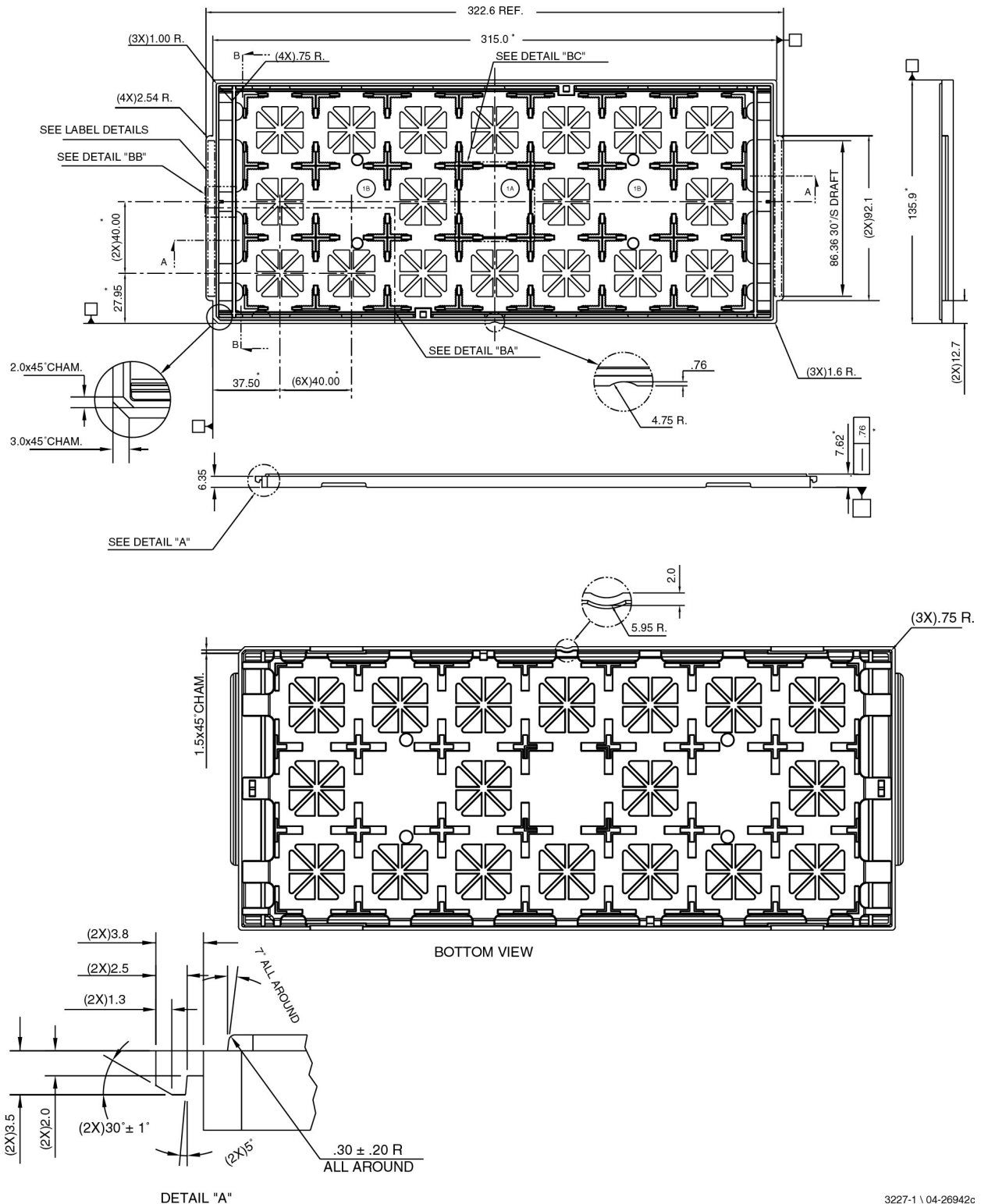


3230-2 \ 04-27203a

Notes:

- 1 All dimensions are in millimeters.
- 2 Trays can withstand continuous operation at temperatures up to 140°C.

Plastic Ball Grid Array: 569-Ball (37.5 mm x 37.5 mm) BGA



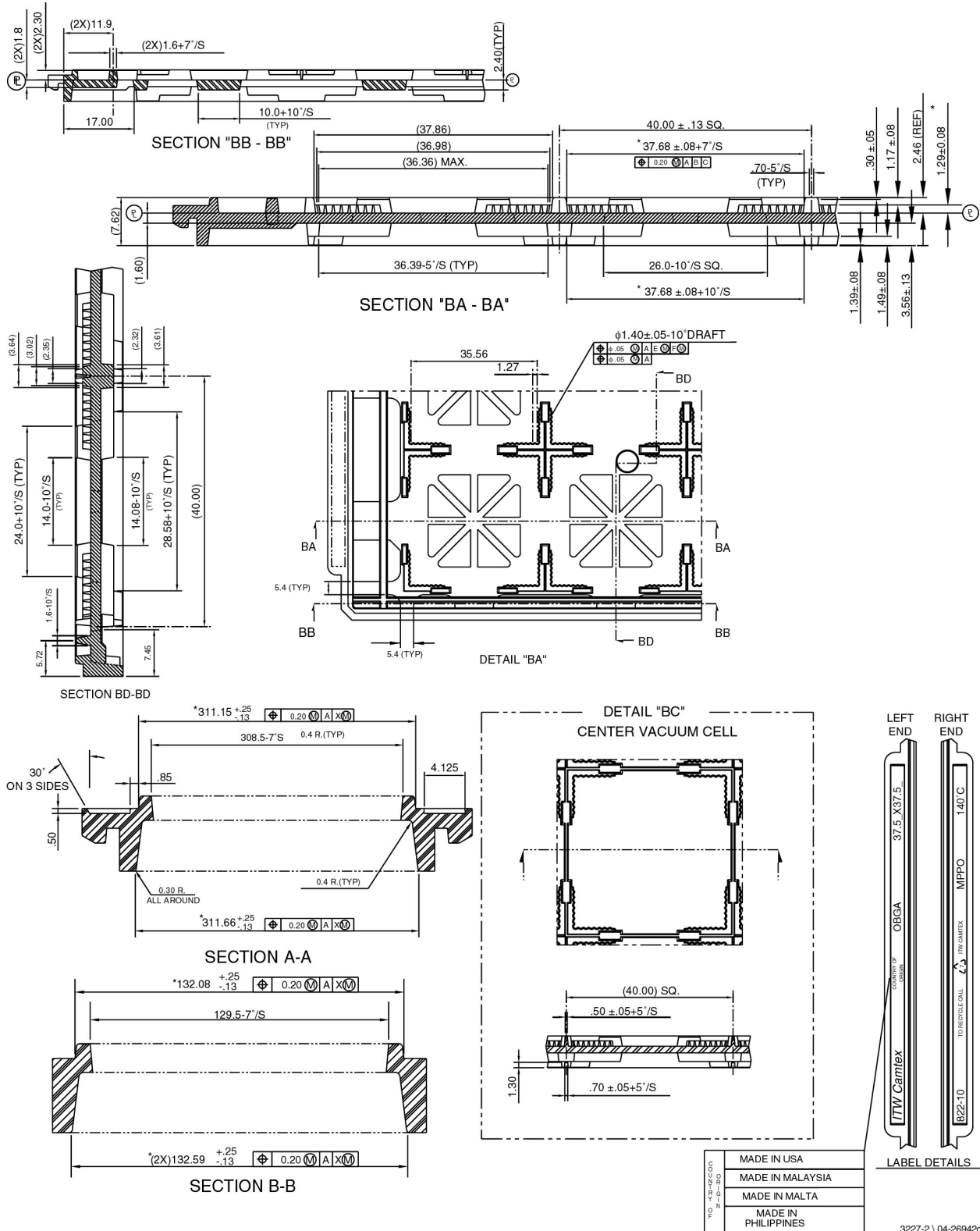
3227-1 \ 04-26942c

Notes::

- 1 All dimensions are in millimeters.
- 2 Trays can withstand continuous operation at temperatures up to 140°C.

(See next page for detailed views)

Plastic Ball Grid Array: 569-Ball (37.5 mm x 37.5 mm) BGA



Notes:

- 1 All dimensions are in millimeters.
- 2 Trays can withstand continuous operation at temperatures up to 140°C.