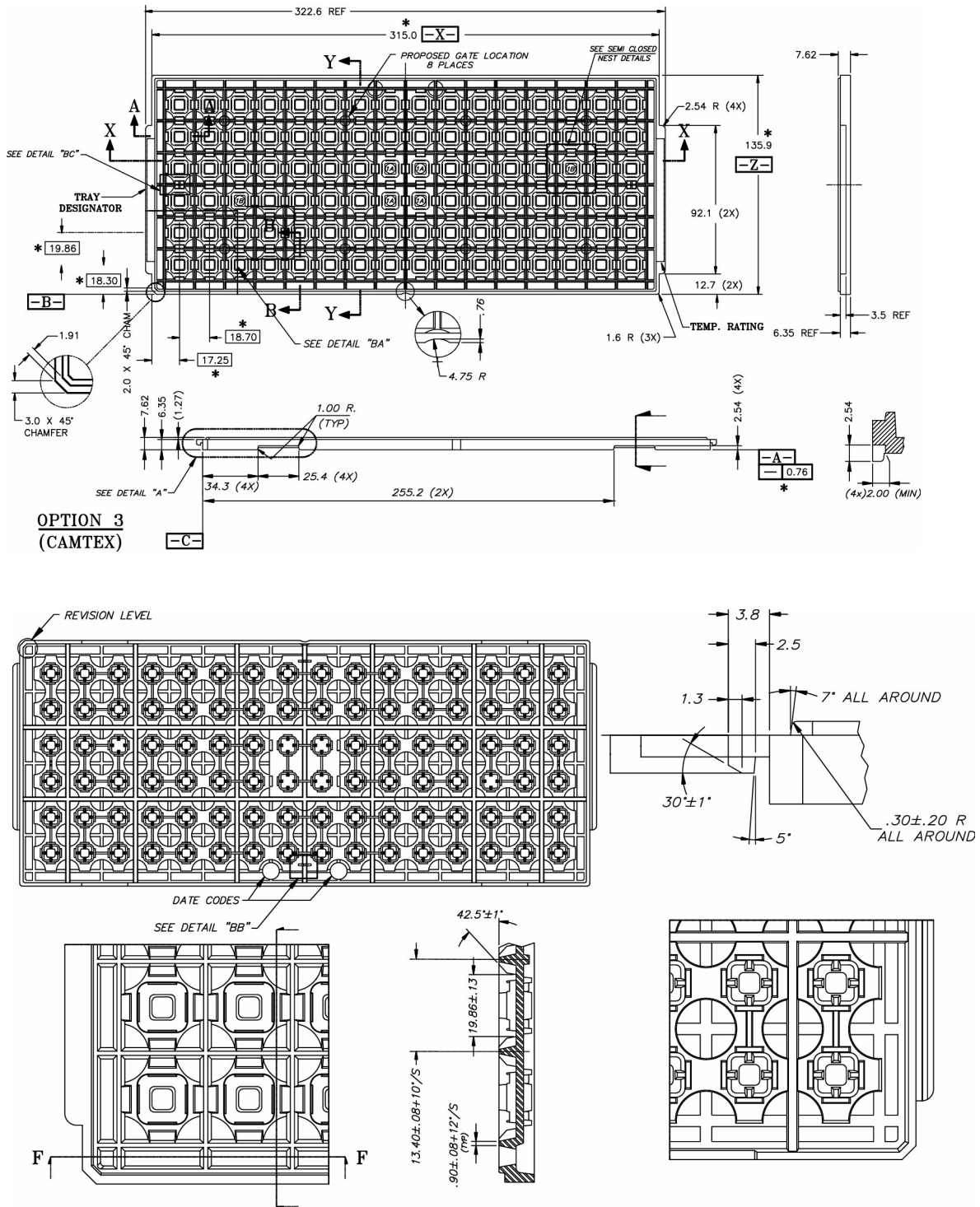


### Plastic Quad Flat Package: 44-Lead (Metric) PQR

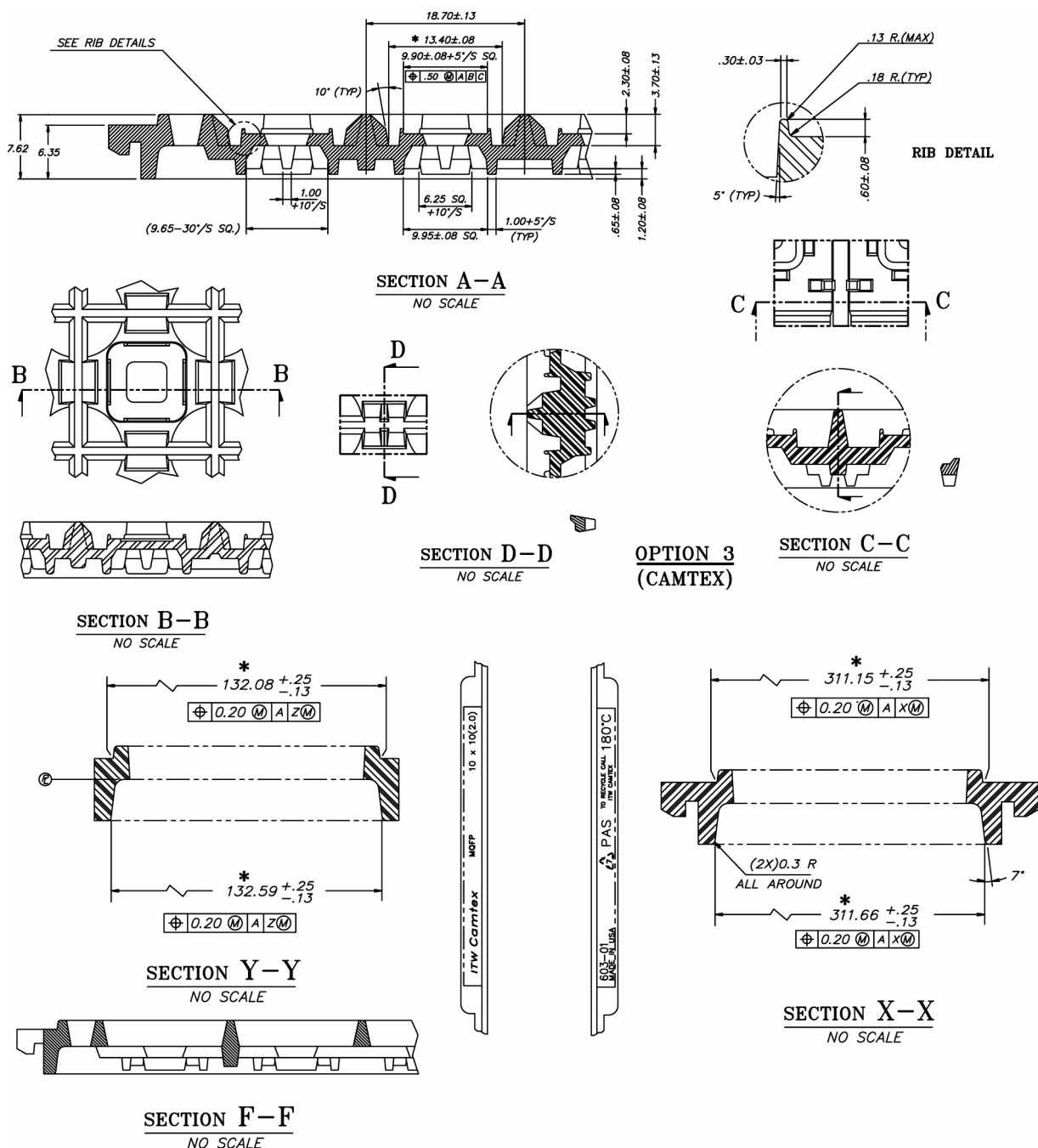


Notes:

- 1 All dimensions are in millimeters.
- 2 Trays can withstand continuous operation at temperatures up to 140°C.

(See next page for detailed views)

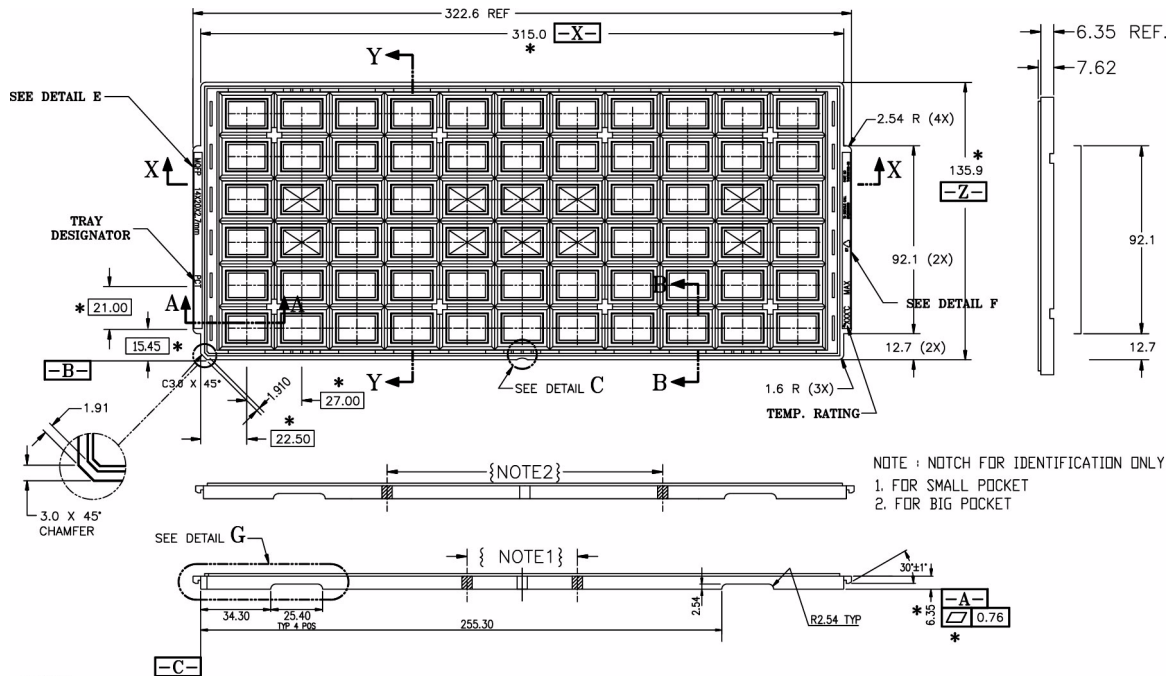
### Plastic Quad Flat Package: 44-Lead (Metric) PQR



Notes:

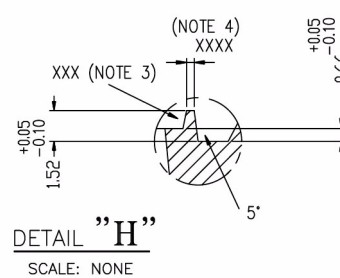
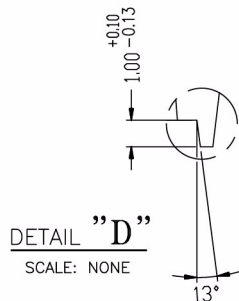
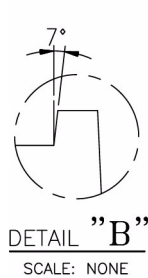
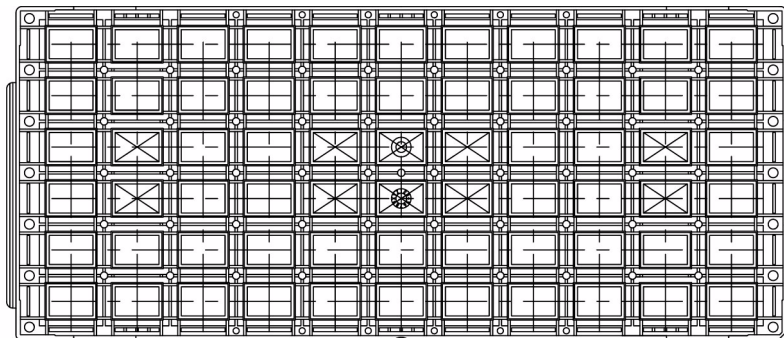
- 1 All dimensions are in millimeters.
- 2 Trays can withstand continuous operation at temperatures up to 140°C.

**Plastic Quad Flat Package: 80-, 100-Lead (Metric) PQR, PRH**



**NOTE:**

- 1. VACUUM PICKUP CELL ~ SEE DETAIL "B"
- 2. MANUFACTURER'S PART NO. IS TMHT 061102-06

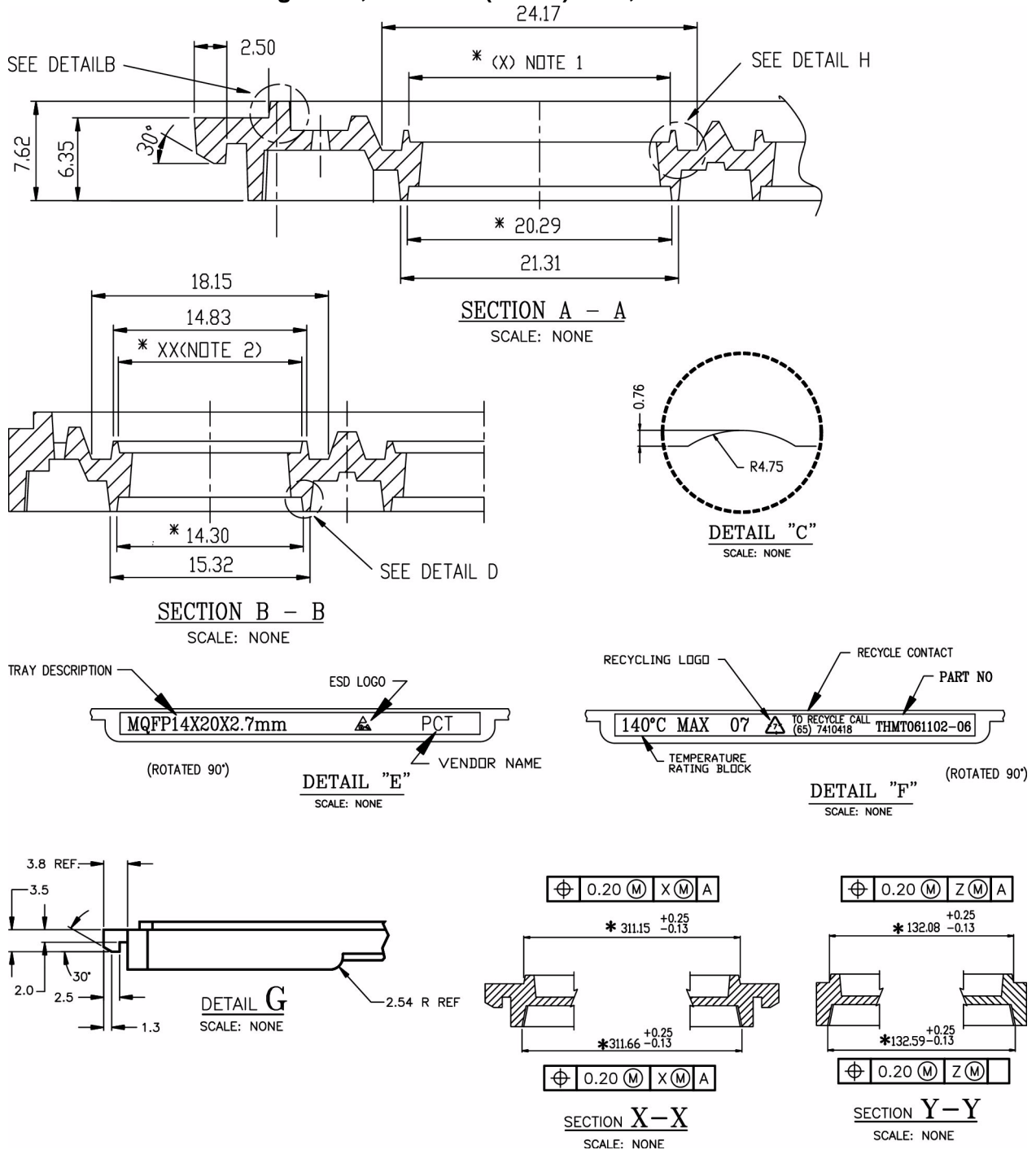


**Notes:**

- 1 All dimensions are in millimeters.
- 2 Trays can withstand continuous operation at temperatures up to 140°C.

(See next page for detailed views)

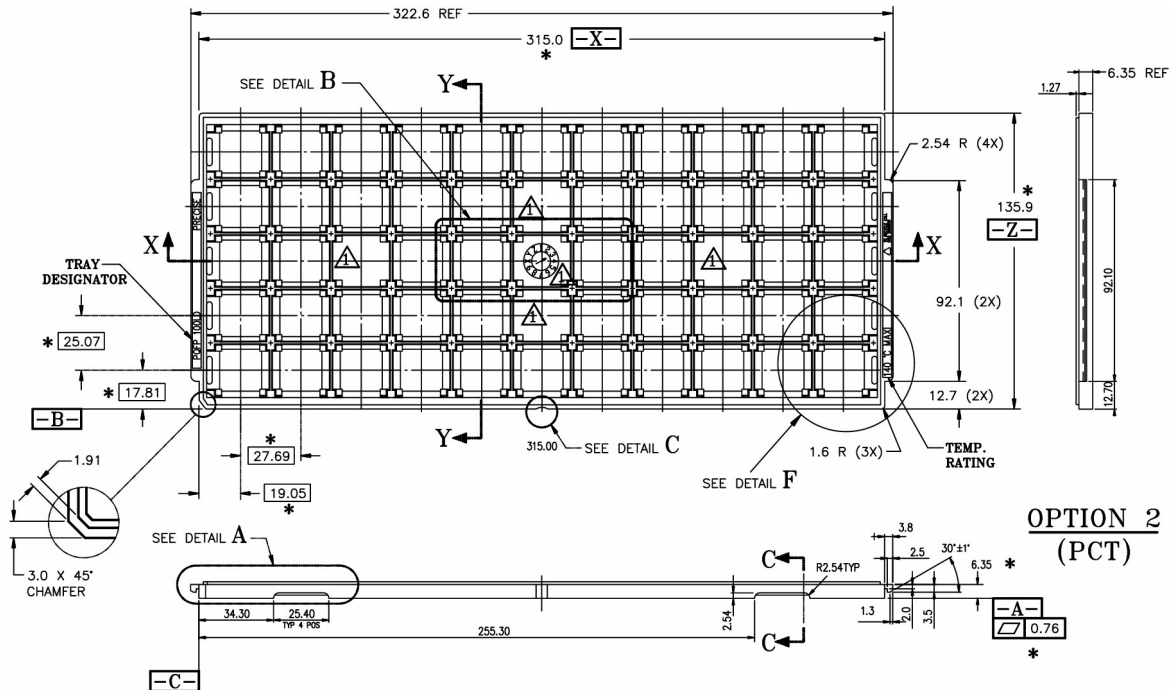
**Plastic Quad Flat Package: 80-, 100-Lead (Metric) PQR, PRH**



**Notes:**

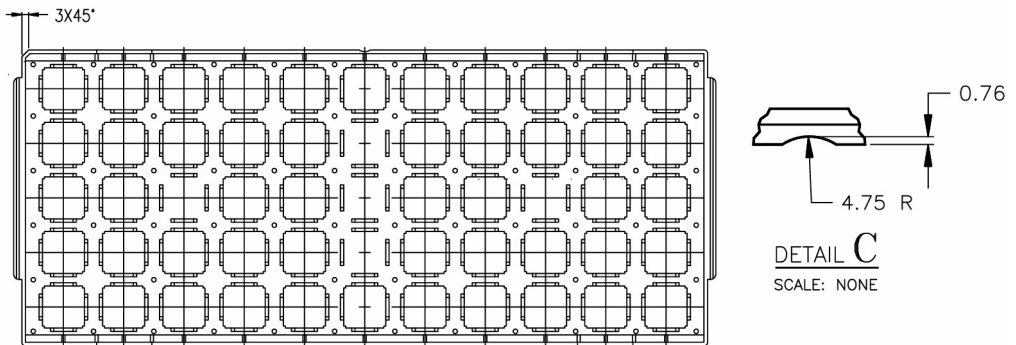
- 1 All dimensions are in millimeters
- 2 Trays can withstand continuous operation at temperatures up to 140°C.

### Plastic Quad Flat Package: 100-Lead (English) PQB



**NOTE:**

△ VACUUM PICKUP CELL ~ SEE DETAIL "B"



**BOTTOM VIEW**

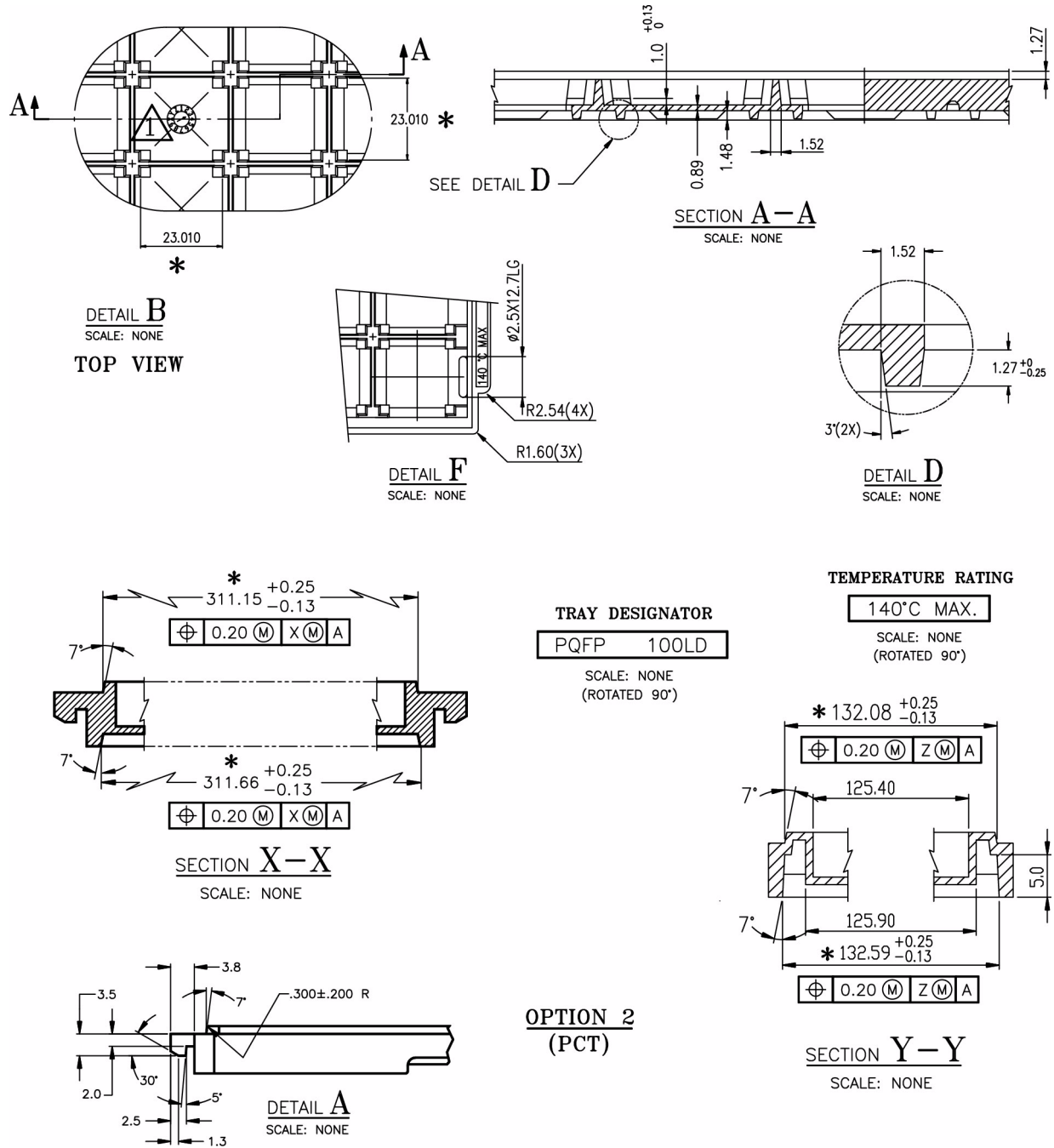
SCALE: NONE

**Notes:**

- 1 All dimensions are in millimeters.
- 2 Trays can withstand continuous operation at temperatures up to 140°C.

(See next page for detailed views)

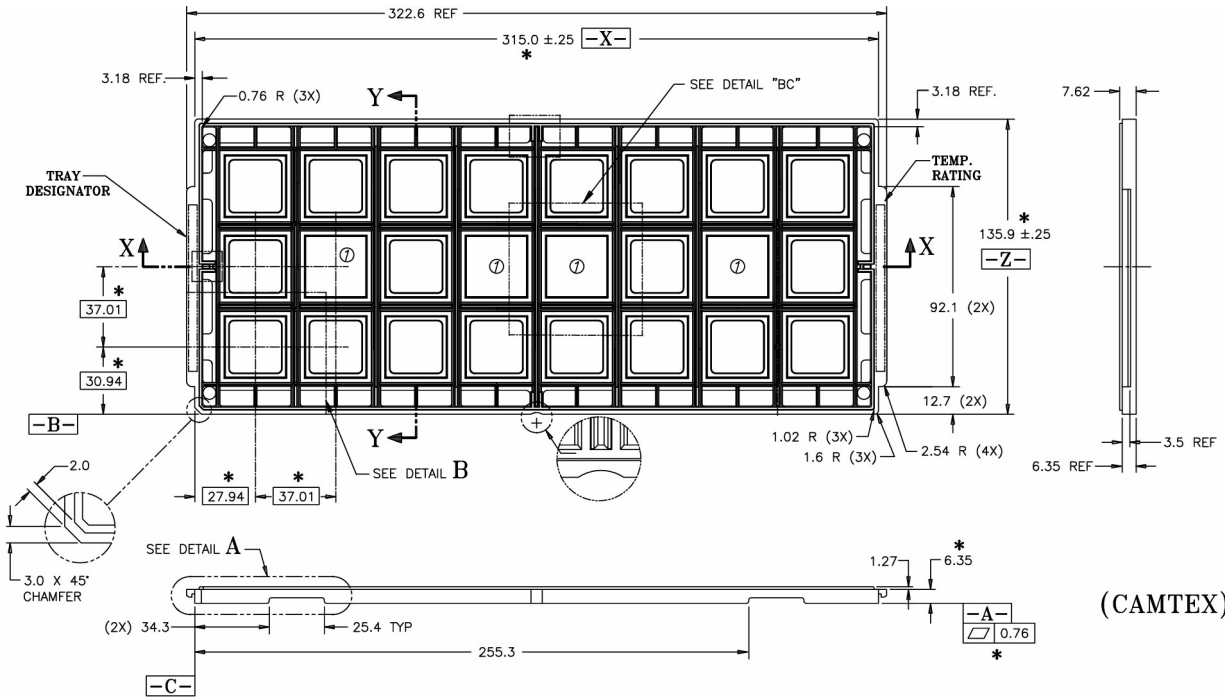
**Plastic Quad Flat Package: 100-Lead (English) PQB**



**Notes:**

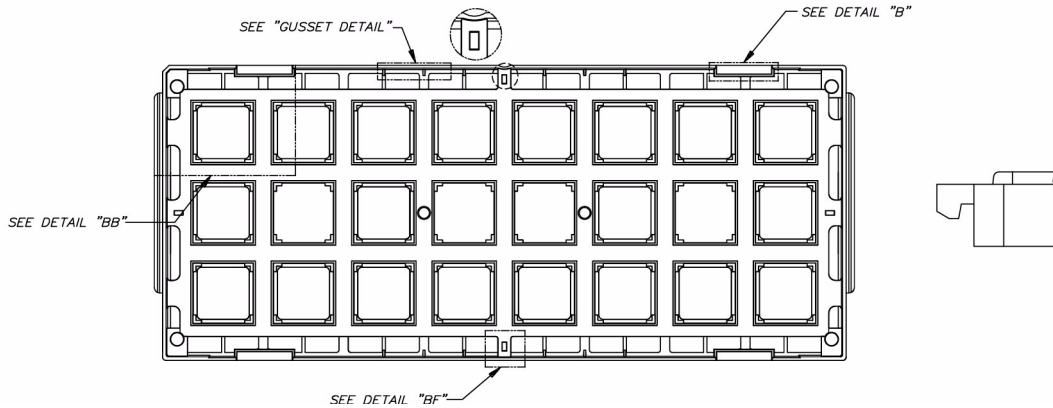
- 1 All dimensions are in millimeters.
- 2 Trays can withstand continuous operation at temperatures up to 140°C.

**Plastic Quad Flat Package: 120- through 208-Lead (Metric) PDE, PDH, PQR, PRH**



**NOTE:**

△ VACUUM PICKUP CELL ~ SEE DETAIL "BC"

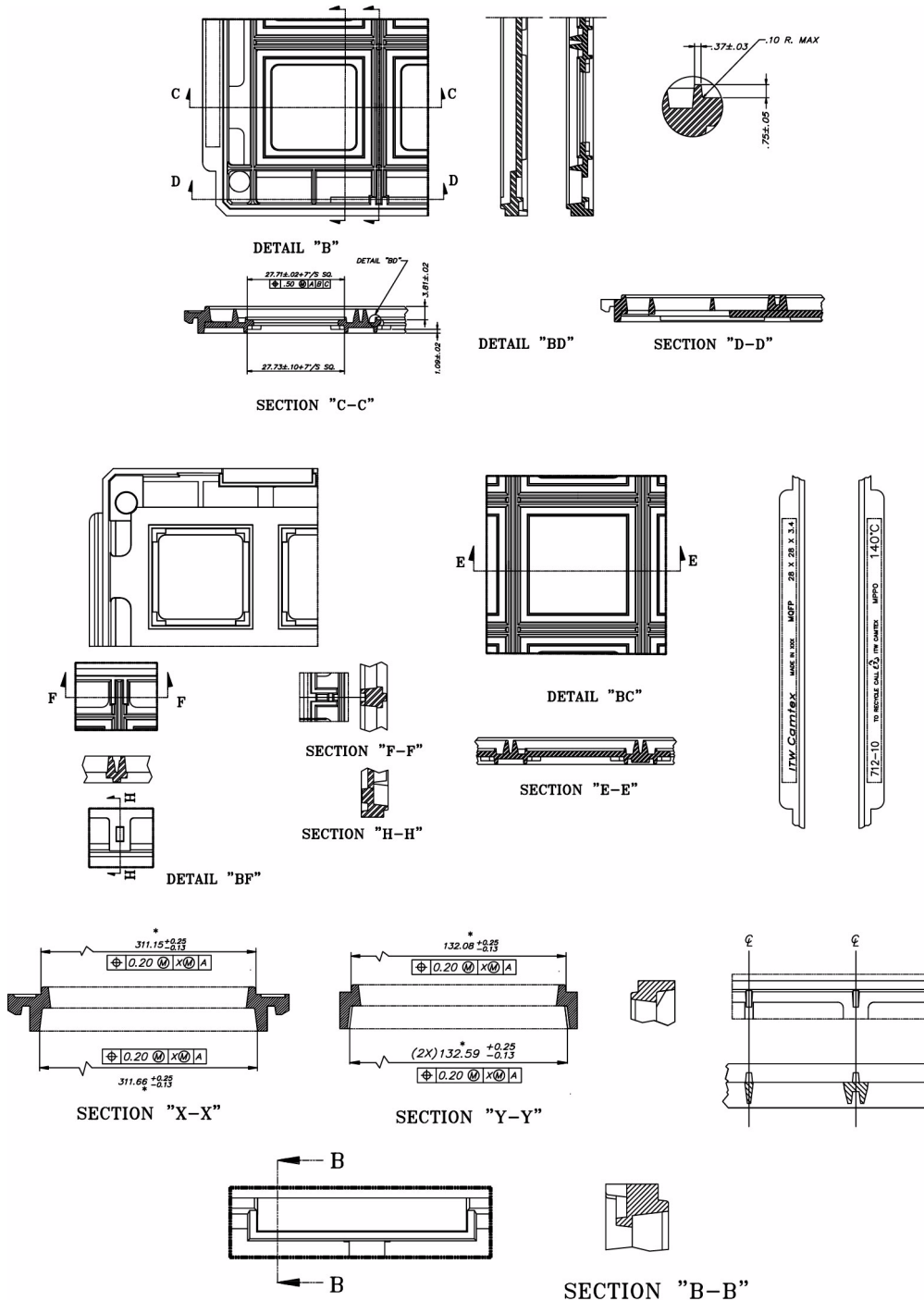


**Notes:**

- 1 All dimensions are in millimeters.
- 2 Trays can withstand continuous operation at temperatures up to 140°C.

(See next page for detailed views)

Plastic Quad Flat Package: 120- through 208-Lead (Metric) PDE, PDH, PQR, PRH

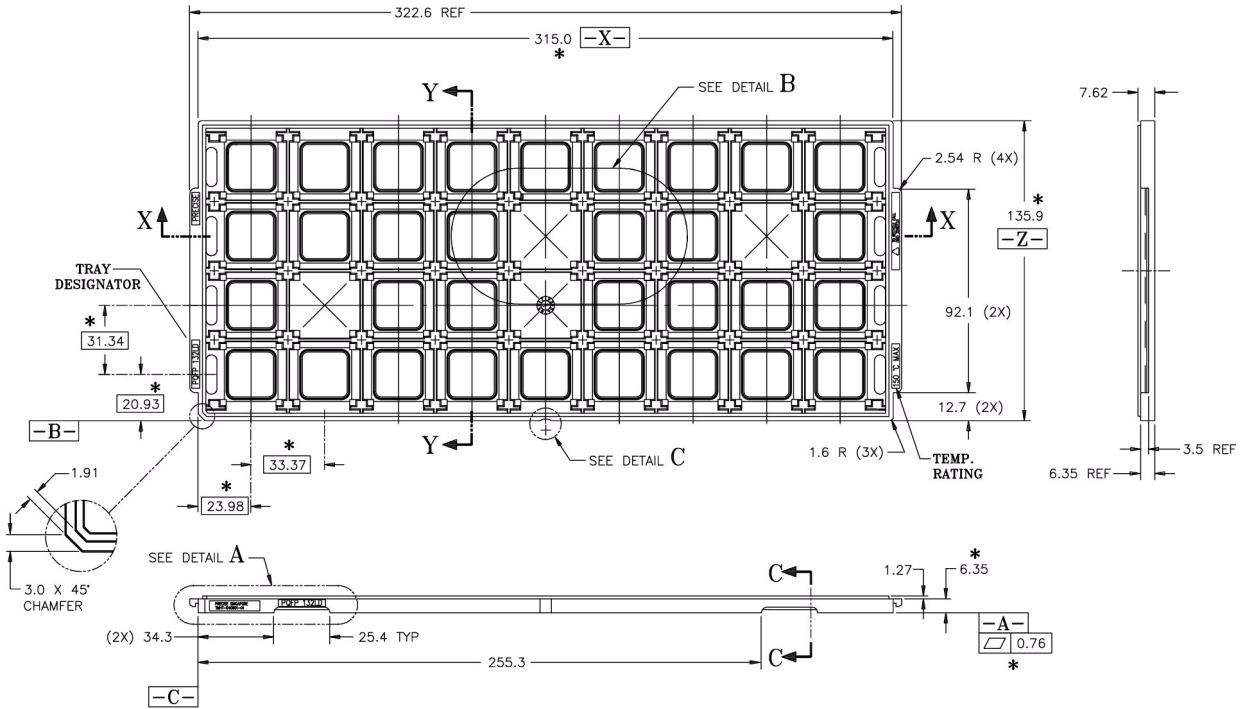


Notes:

- 1 All dimensions are in millimeters.
- 2 Trays can withstand continuous operation at temperatures up to 140°C.

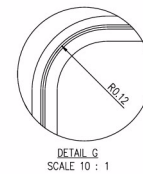
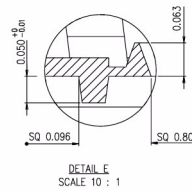
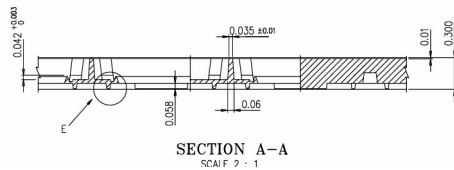
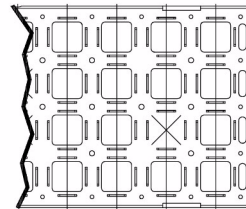
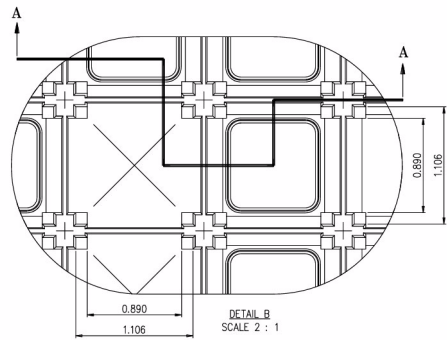


### Plastic Quad Flat Package: 132-Lead (English) PQB



**NOTE:**

△ VACUUM PICKUP CELL ~ SEE DETAIL "B"

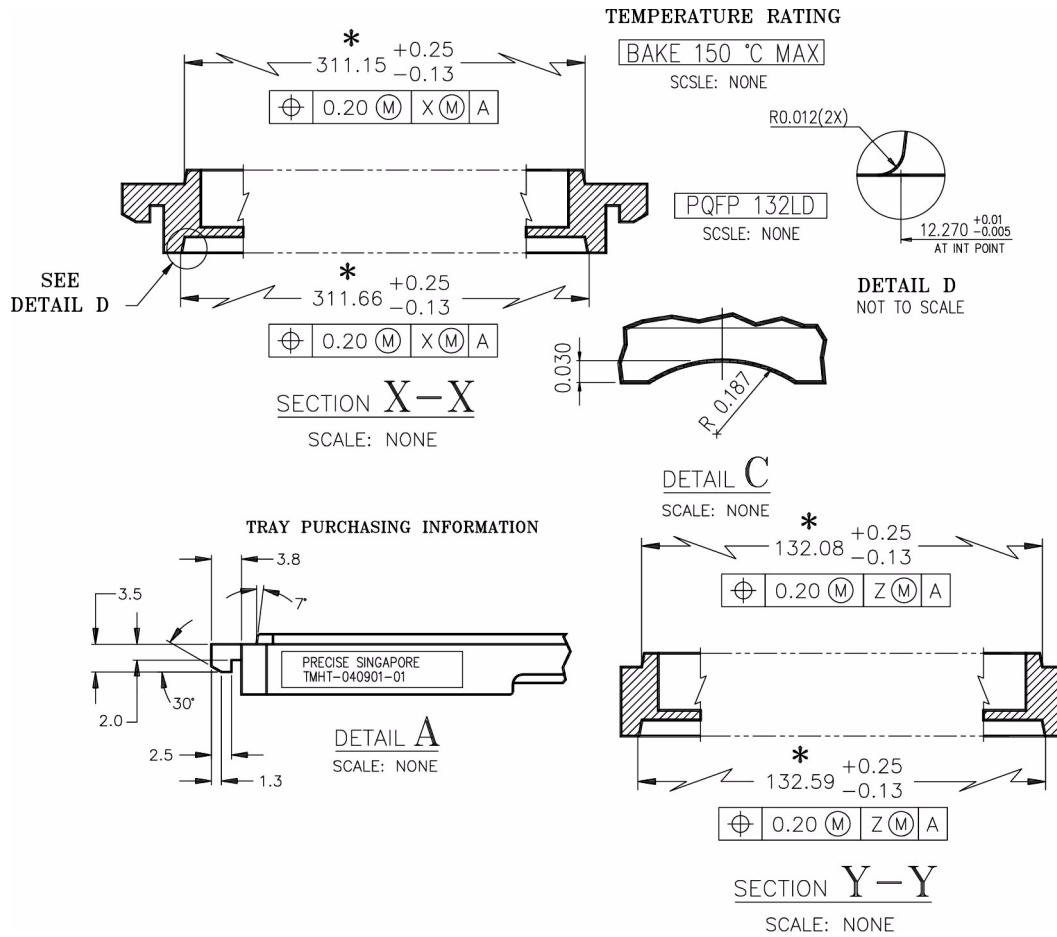


**Notes:**

- 1 All dimensions are in millimeters.
- 2 Trays can withstand continuous operation at temperatures up to 150°C.

(See next page for detailed views)

**Plastic Quad Flat Package: 132-Lead (English) PQB**



**Notes:**

- 1 All dimensions are in millimeters.
- 2 Trays can withstand continuous operation at temperatures up to 150°C.