



Powerful, Compact

x86 Thin Client Reference Design

Product Overview

The AMD Geode™ GX thin client reference design kit (RDK) is a compact, low-power and high-performance system designed to help facilitate the next generation of thin client networked computing appliances. Building on AMD's philosophy of delivering low total cost of ownership, the thin client reference design kit is optimized to provide value through all phases of the design and development cycle, and also serves as a powerful, near manufacture-ready reference design tool.

Powerful cost-optimized capabilities, small form factor

The AMD Geode GX thin client reference design kit is based on proven, 3rd-generation RDK technology, and provides a complete system design package that gives designers flexibility, versatility and enhanced capabilities – all in a small package (approximate dimensions 5.5" x 5"). An integral AMD Geode™ GX 533@1.1W processor* provides the flexibility of the x86 instruction set with the power to run current popular operating systems.



Commitment to low-power x86

The AMD Geode GX thin client reference design kit and other advanced development tools represent the AMD commitment to low-power customer-centric solutions for the x86 thin client marketplace. The thin client RDK provides an integrated suite of support and development capabilities to help reduce development cost and time-to-market for thin client applications. The thin client RDK contains materials needed to quickly and efficiently move networked computing appliance solutions to market.

Primary Product Features

- CPU power to process multiple applications locally
- Small form factor – approximately 5.5"W x 1"H x 5"D
- Low-power consumption – 6W typical, 1W standby – with no fan
- Display resolution up to 1600x1200
- 4 USB I.I ports
- Support for multiple operating systems
 - Microsoft® Windows® CE
 - Microsoft XPe
 - Linux
- Legacy I/O expansion via a daughter card
- High bandwidth Ethernet (10-100Mbps)
- Diskless with non-volatile storage via DiskOnChip
- Additional audio peripheral connectivity
- Support multiple protocols, plug-ins and local application (Web browser, multimedia player)
 - Microsoft RDP
 - Citrix ICA
 - Java
 - Macromedia Flash

*This processor operates at 400MHz. Model numbers reflect performance as described here: <http://www.amd.com/connectivitysolutions/geodegxbenchmark>.

AMD Geode™ GX Thin Client Reference Design Kit

Product Benefits

- Complete System Design Package – simplified design and engineering helps reduce time-to-market
- Cost-Optimized – facilitate low total cost of ownership in design/market cycle
- Low-Power System Design – allows smaller form factor designs and reduces heat
- Small Form Factor – minimizes desktop space and enables mounting in various positions
- Highly-Integrated Platform – suite of AMD Geode™ Solutions reduces the need for additional components
- Sustainability – helps provide ongoing cost reduction through a simplified design process

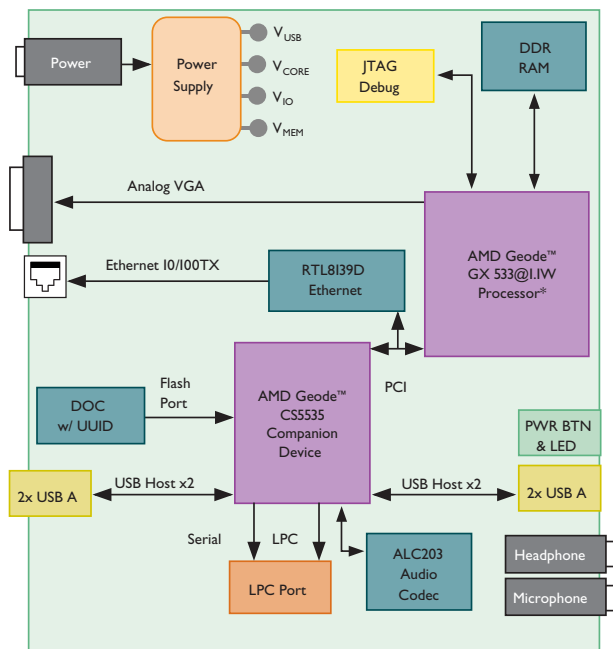
Additional Features

- Serial port expansion for security
- Audio expansion for VoIP
- LPC expansion for Legacy I/O
- Full schematics
- Layout files
- Complete software driver package for supported OS
- Documentation

Application Markets

The AMD Geode GX thin client RDK features a flexible design that can address a broad range of embedded devices:

- Corporate Thin Client
- Terminal in Blade PC
- Point-of-Sale
- Education
- Information Appliance
- Kiosk



Product Support

The AMD Geode GX thin client RDK provides a complete solution, including schematics, layout and full documentation. Full integration with AMD Geode Solutions technologies, low-power requirements and design flexibility help to reduce costly time-to-market and enable more effective, efficient thin client designs.

*This processor operates at 400MHz. Model numbers reflect performance as described here: <http://www.amd.com/connectivitysolutions/geodegxbenchmark>.

About AMD

AMD (NYSE:AMD) designs and produces innovative microprocessors, Flash memory devices and low-power

processor solutions for the computer, communications and consumer electronics industries. AMD is dedicated to delivering standards-based, customer-focused

solutions for technology users, ranging from enterprises and governments to individual consumers. For more information visit www.amd.com.

For more information, please visit: www.amd.com/connectivitysolutions/geode

AMD
www.amd.com

One AMD Place
P.O. Box 3453
Sunnyvale, CA 94088-3453, USA
Tel: 408-749-4000 or 800-538-8450
TWX: 910-339-9280
TELEX: 34-6306

Technical Support

USA & Canada: 800-222-9323 or 408-749-5703
USA & Canada PC Microprocessor:
408-749-3060
USA & Canada Email: hw.support@amd.com
Latin America:
Brazil: Tel: 0800-557686
Argentina: Tel: 0800-333-0219
Chile: Tel: 123-00-209-110
México: Tel: 01-800-123-4709
Soporte técnico: amdxsbrpo@vsr.com.br
Europe & UK: +44-0-1276-803299
Fax: +44-0-1276-803298
France: 0800-908-621
Germany: +49-089-450-53199
Italy: 800-877224
Europe Email: euro.tech@amd.com
Far East Fax: 852-2956-0588
Japan Fax: 81-3-3346-7848

Literature Ordering

On the Web: www.amd.com/support/literature.html
USA & Canada: 800-222-9323
Europe Email: euro.lit@amd.com
Far East Fax: 852-2956-0588
Japan Fax: 03-3346-9628

© 2004 Advanced Micro Devices, Inc. All rights reserved. AMD, the AMD Arrow logo, and combinations thereof, and Geode are trademarks of Advanced Micro Devices, Inc. Microsoft and Windows are registered trademarks of Microsoft Corporation in the United States and/or other jurisdictions. Other product and company names used in this publication are for identification purposes only and may be trademarks of their respective companies.

