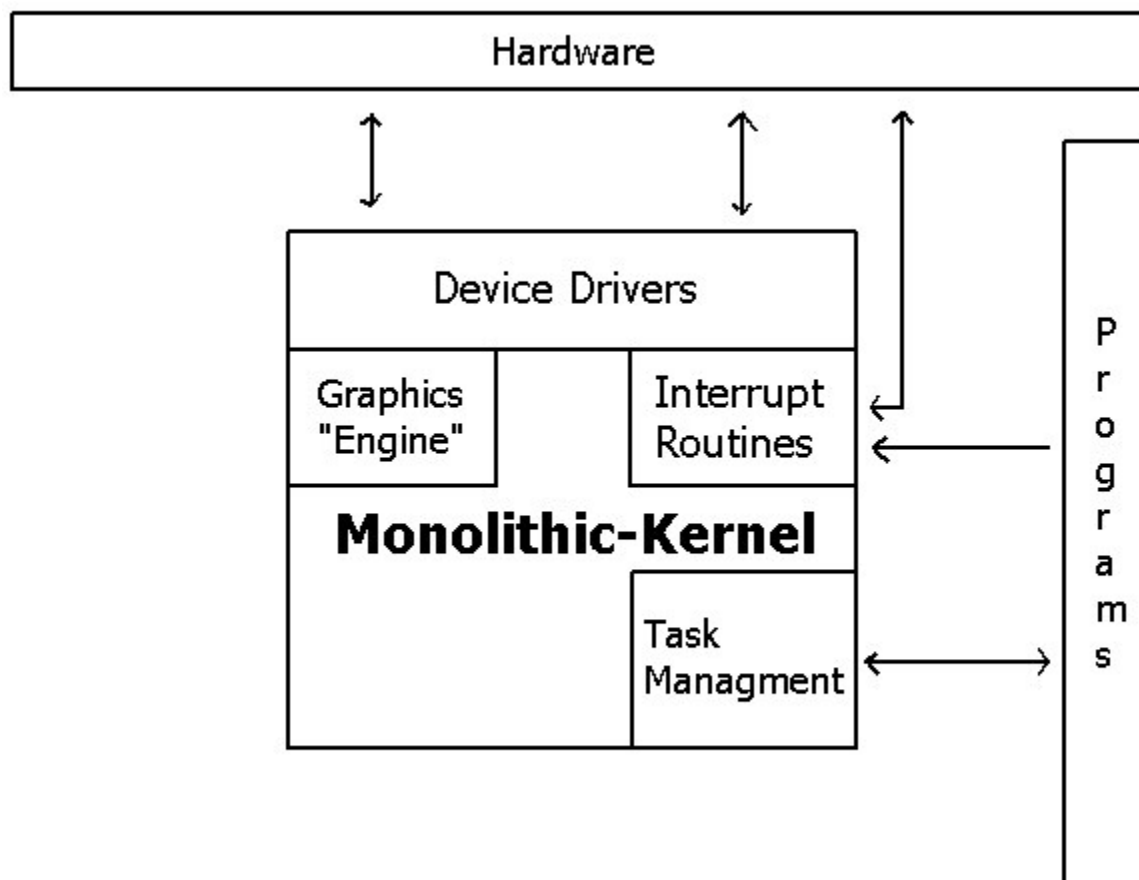


An Overview of Monolithic and Micro Kernels

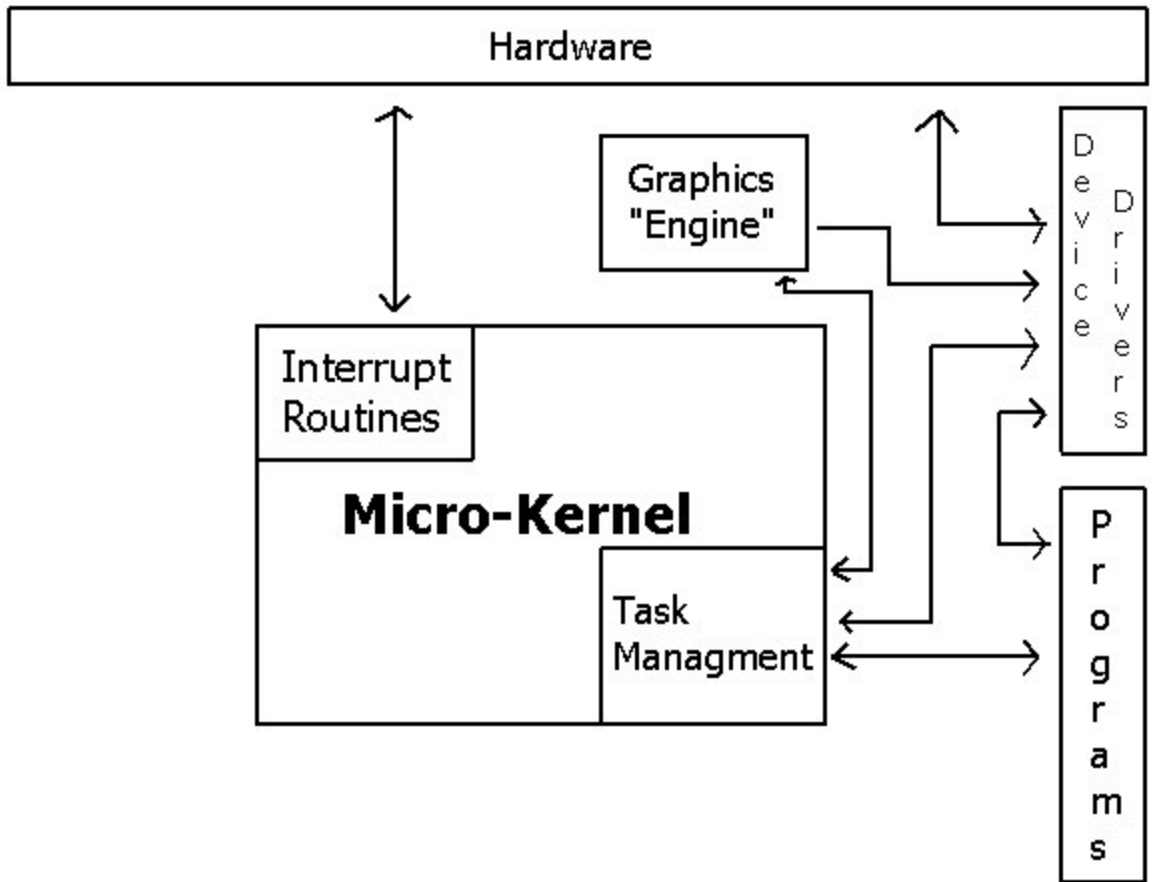
These graphics display how a Monolithic-Kernel and a Micro-Kernel communicate with the hardware and software.

A Monolithic-Kernel



Two good examples of monolithic-kernels are Windows and Linux.

A Micro-Kernel



A good example of a micro-kernel is [QNX](#).

These graphics were made by K.J. with help from Joachim Nock.