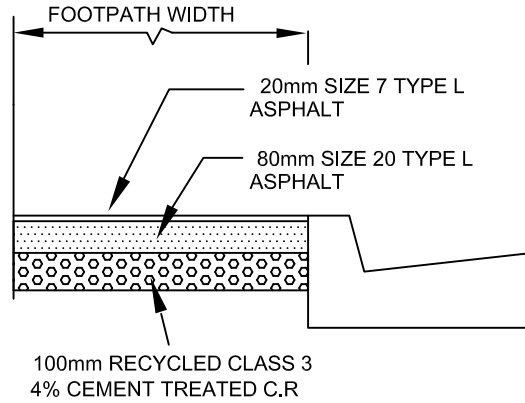
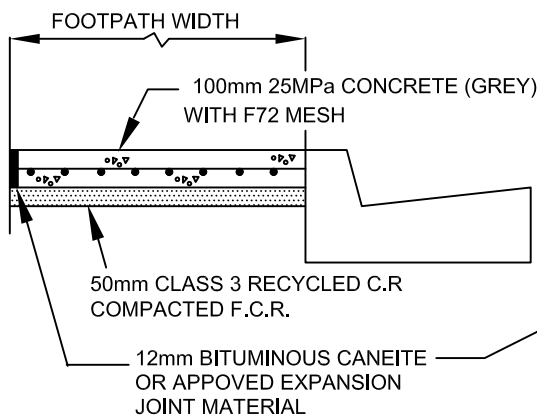


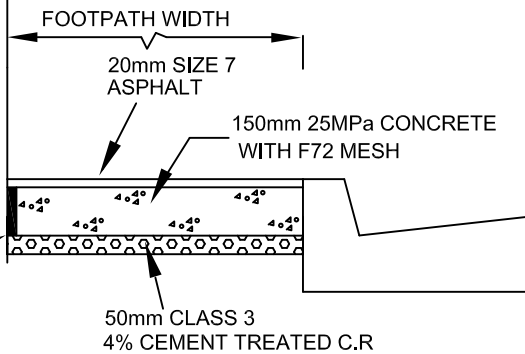
**RESIDENTIAL
ASPHALT
FOOTPATH (RAF)**



**INDUSTRIAL
ASPHALT
FOOTPATH (IAF)**



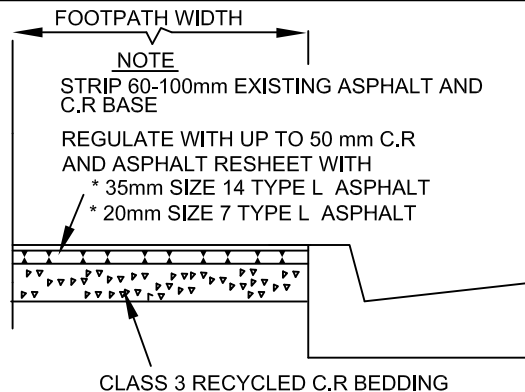
CONCRETE FOOTPATH (CF)



**INDUSTRIAL CONCRETE
FOOTPATH WITH ASPHALT
SURFACE (ICAF)**

GENERAL NOTES

1. CROSSFALLS ON FOOTPATH SHALL NOT BE FLATTER THAN 1:40 (2.5%) AND NOT STEEPER THAN 1:20 (5%).
2. TO BE READ IN CONJUNCTION WITH COUNCIL SPECIFICATIONS
3. TYPE OF FOOTPATH TO BE AGREED BY ENGINEER.
4. AT ALL TIMES FOOTPATH WORKS SHALL NOT REDUCE PEDESTRIAN SAFETY. ADEQUATE SAFETY MEASURES MUST BE INSTALLED.
5. REFER YSD 40 -- FOOTPATH DETAILS FOR RETAIL STRIPS.
6. ALL CONCRETE SHALL BE 25 MPa AT 28 DAYS (TO BE CHARCOAL COLOUR AT THE RATIO OF 1 BAG (25kg) FOR EVERY CUBIC METRE OF CONCRETE).



**RESIDENTIAL FOOTPATH
STRIP AND RESHEET**

Yarra Standard: YSD39 Drawing Title:

TYPICAL FOOTPATH DETAILS

Scale at A4 N.T.S
Updated 08/10/09

