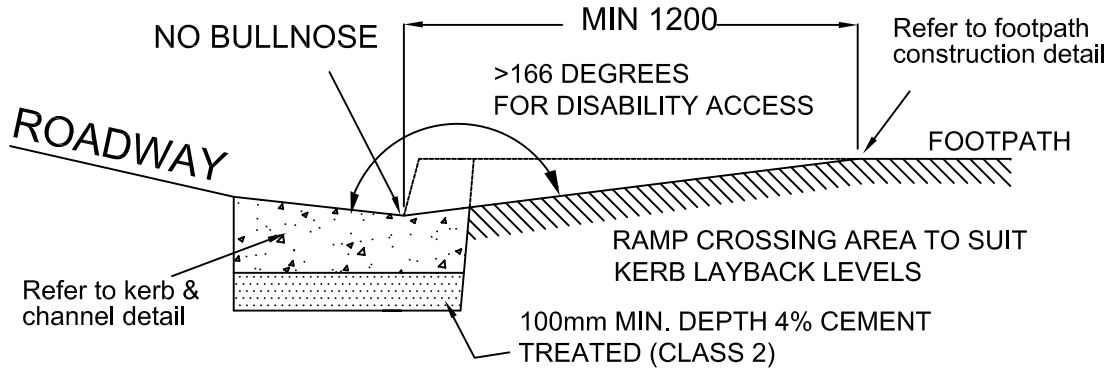


SECTION B-B



SECTION A-A

GENERAL NOTES

1. KERB AND CHANNEL PROFILES TO CONFORM TO STANDARD DRAWING YSD 21.
2. REFER DRAWING NO YSD 21 FOR GENERAL NOTES.
3. CONCRETE TO BE CHARCOAL COLOUR AT THE RATIO OF 1 BAG (25KG) FOR EVERY CUBIC METER OF CONCRETE.
4. RAMP DOWN FOOTPATH TO MATCH KERB LAYBACK LEVEL.

Yarra Standard: YSD42
Drawing Title:
 KERB LAYBACK PRAM CROSSING

Scale at A4 N.T.S
 Updated 28/11/07

