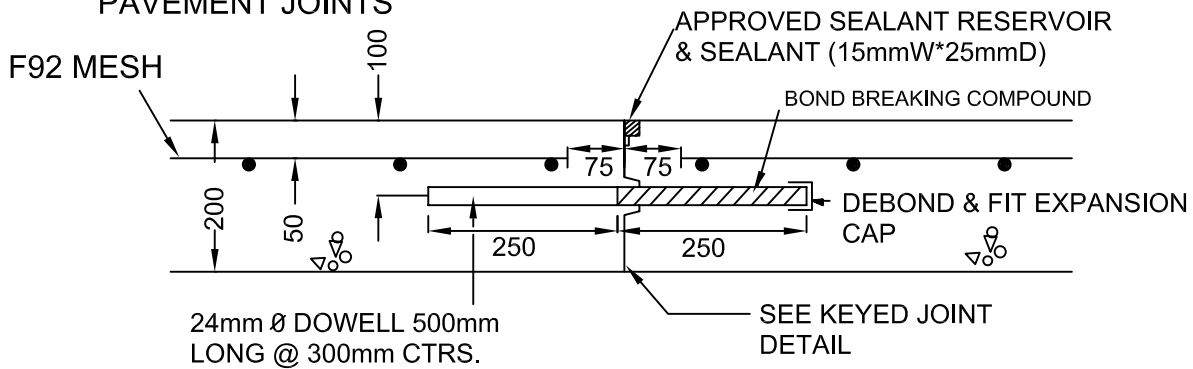
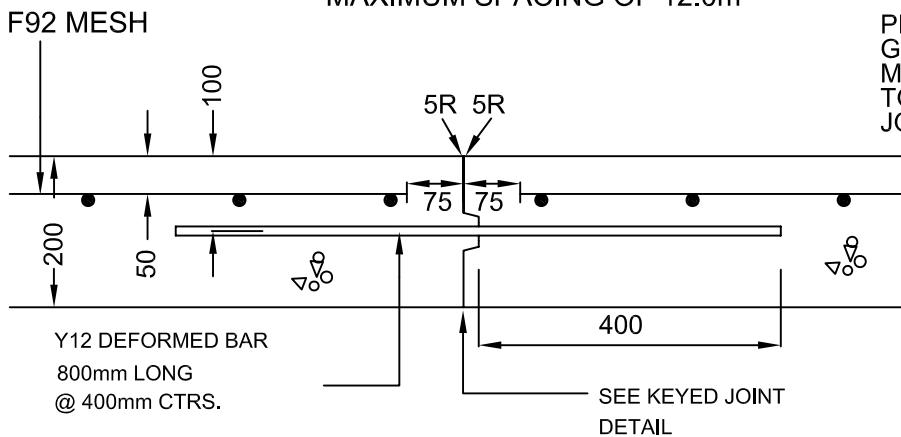


NOTE: KERB & CHANNEL JOINTS TO MATCH/COINCIDE WITH TRANSVERSE PAVEMENT JOINTS



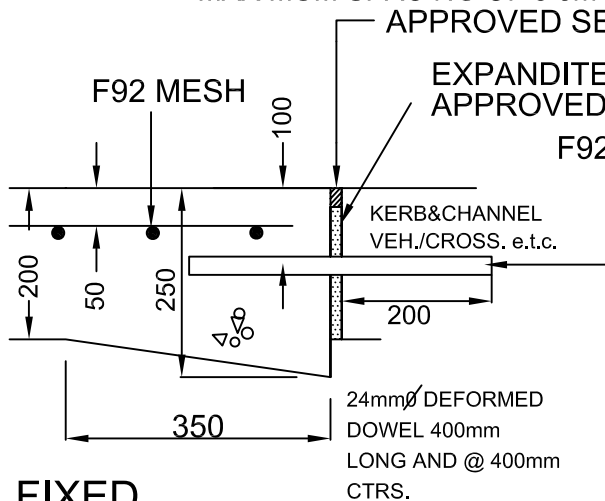
TRANSVERSE CONSTRUCTION/CONTRACTION JOINT (TJ)

MAXIMUM SPACING OF 12.0m

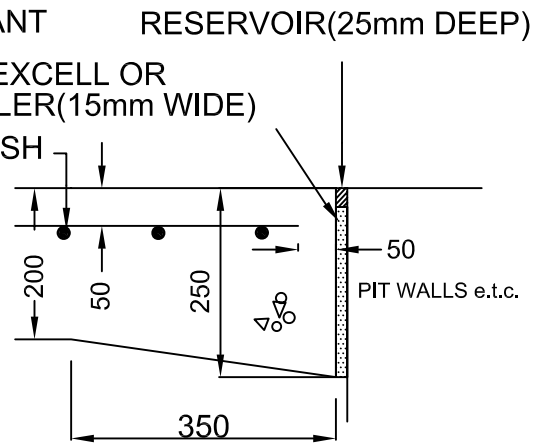


LONGITUDINAL JOINT (LJ)

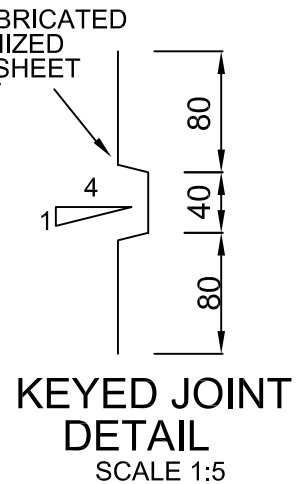
MAXIMUM SPACING OF 5.0m



FIXED JOINT (FJ)



ISOLATION JOINT (IJ)



GENERAL NOTES

1. EXPANDITE SECOSEAL P (OR APPROVED EQUIVALENT) TO BE USED IN SEALANT RESERVOIRS. CURING TO BE AS PER COUNCIL SPECIFICATIONS

Yarra Standard: YSD49 Drawing Title:

CONCRETE PAVEMENT JOINTING DETAILS

Scale at A4 N.T.S
Updated 27/11/07

