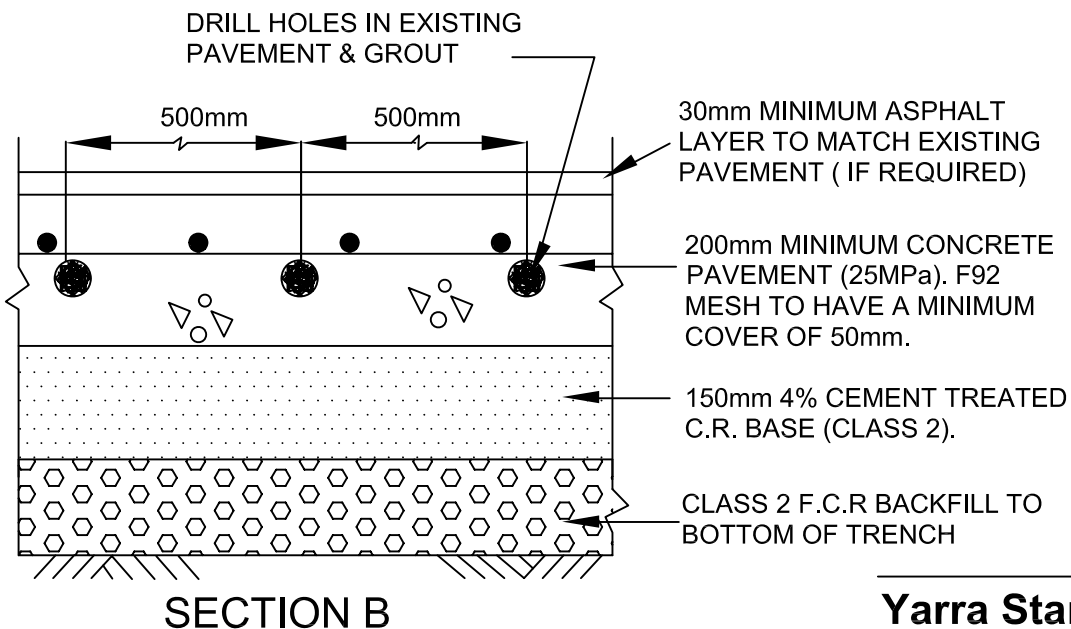
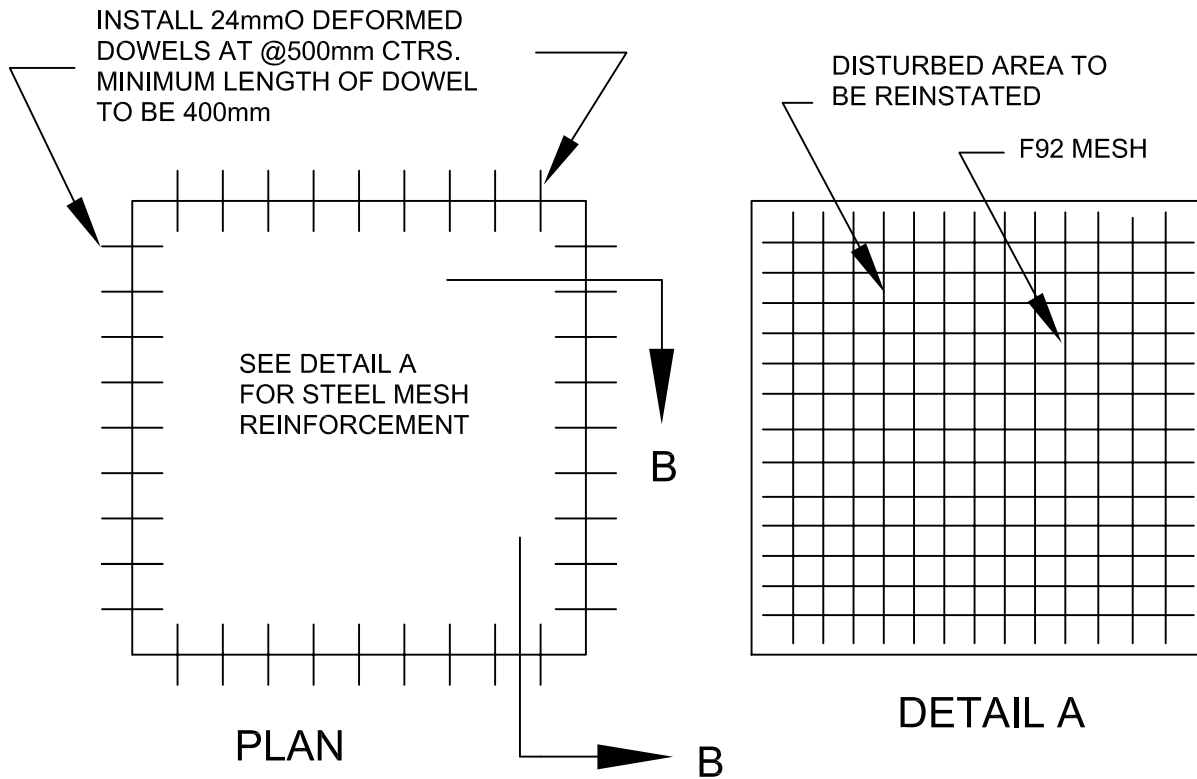


NOTE: WRITTEN APPROVAL MUST
BE OBTAINED FROM THE
SUPERVISING ENGINEER
PRIOR TO EXCAVATION.



Yarra Standard: YSD50
Drawing Title:
CONCRETE PAVEMENT JOINTING
DETAILS

Scale at A4 AS SHOWN
Updated 27/11/07

